

## **PART LISTS**

### **9 SYSTEM IN EACH UNIT**

**9-1 HEADSTOCK : Ø85mm or Ø115mm**

**9-2 GEAR BOX**

**9-3 APRON**

**9-4 BED AND BASE**

**9-5 BRAKE SYSTEM**

**9-6 CARRIAGE AND CROSSFEED (For Taiwan market only)**

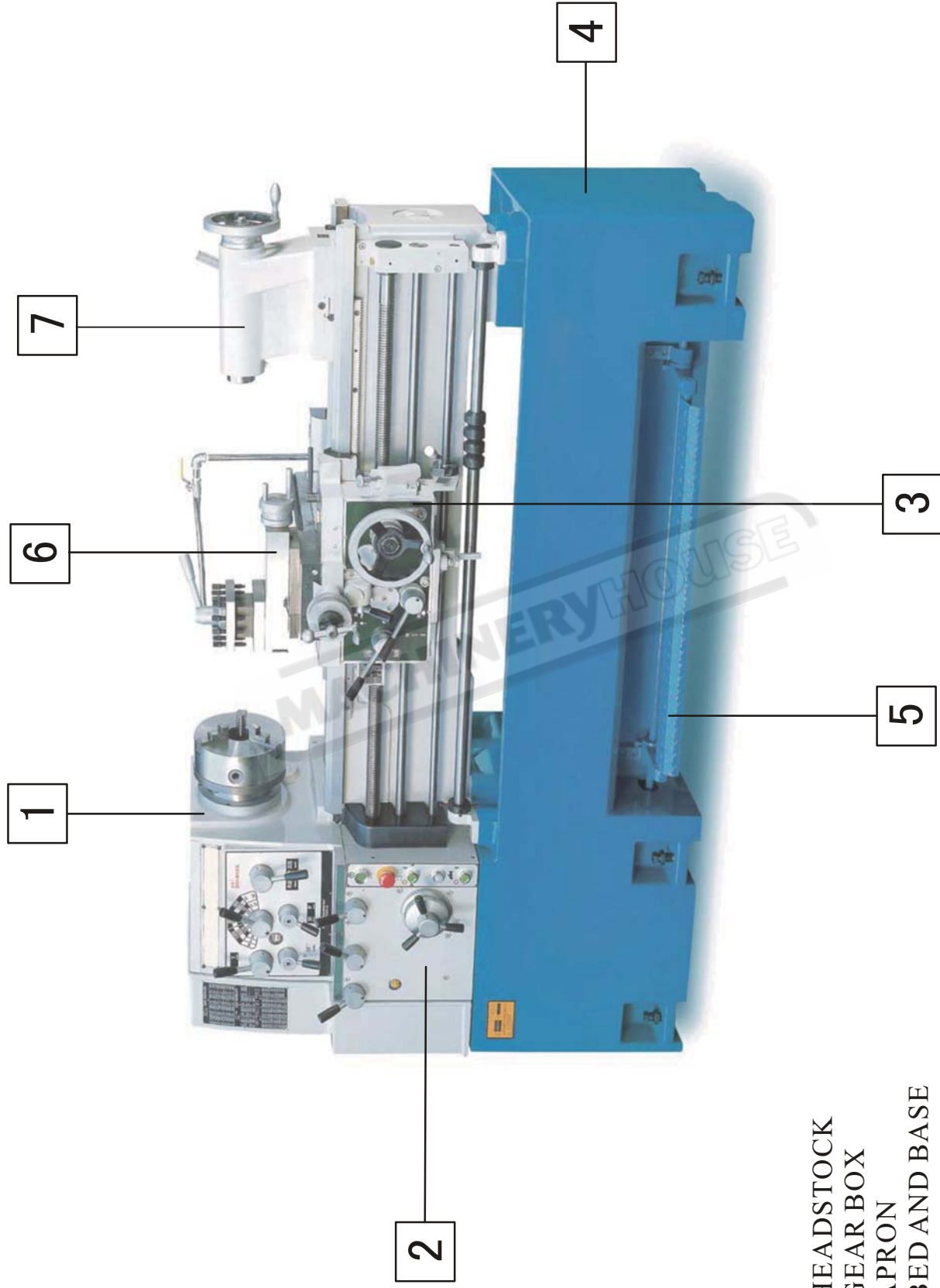
**9-6A CARRIAGE AND CROSSFEED (For markets out of Taiwan)**

**9-7 TAILSTOCK ASSEMBLY**

**9-8 STEADY REST ASSEMBLY**

**9-9 FOLLOW REST ASSEMBLY**

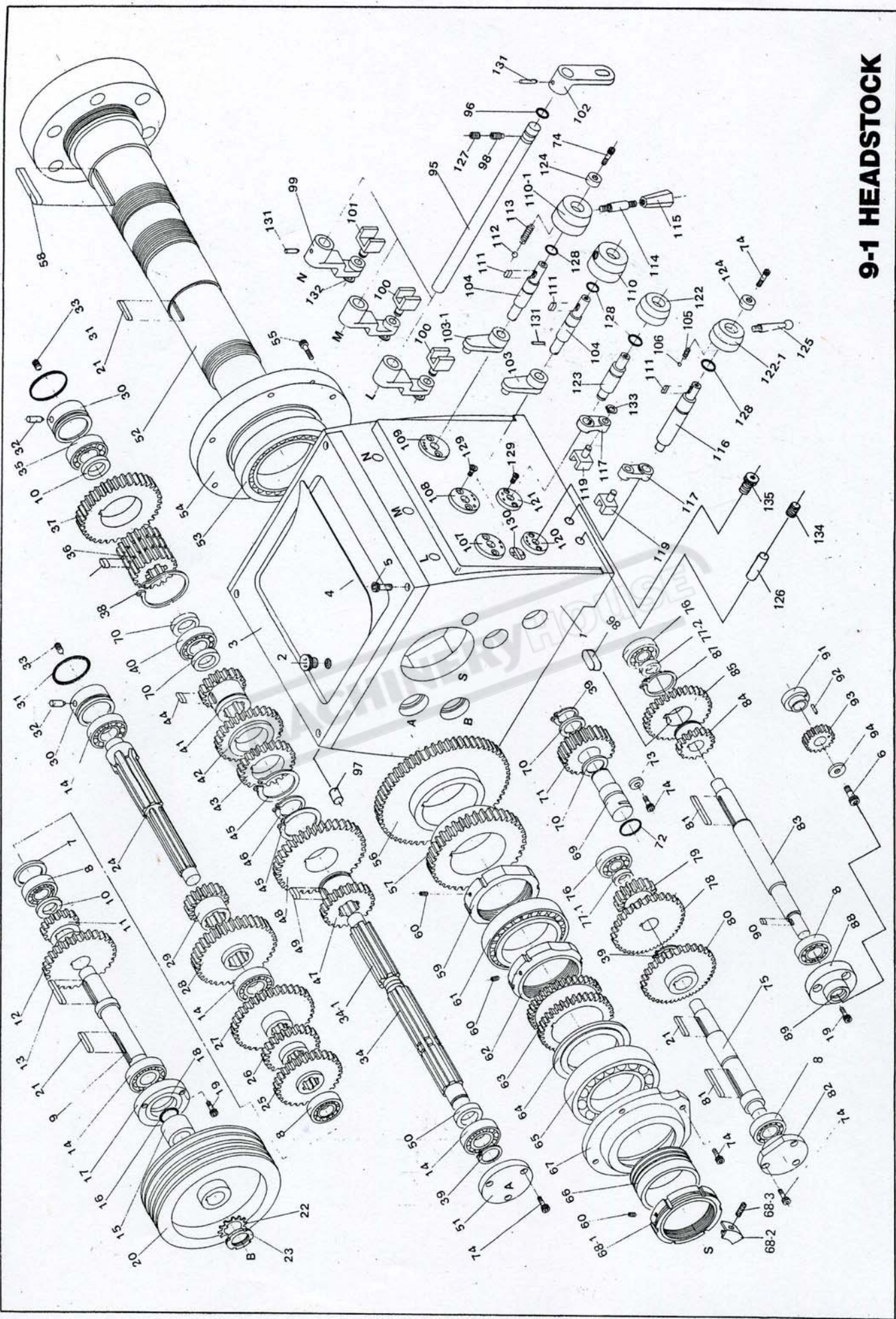
**9-10 COOLANT SYSTEM ASSEMBLY**



- 1 HEADSTOCK
- 2 GEAR BOX
- 3 APRON
- 4 BED AND BASE
- 5 BRAKE SYSTEM AND CROSSFEED
- 6 CARRIAGE AND CROSSFEED
- 6A CARRIAGE AND CROSSFEED
- 7 TAILSTOCK

# SYSTEM IN EACH UNIT





# 9-1 HEADSTOCK

## HEADSTOCK ASSMBLY (Spindle Bore : 85mm or 3")

ITEM NO.	Part Name	Amt. Used	Type: 22 Part No.	Type: 26 Part No.	Type: 2680 Part No.	Type: 3080 Part No.
1	Head stock	1			4001001-263	4001001-303
2	Oil plug	1	1122103405	1122103405	1122103405	1122103405
3	Head stock cover	1	1360200505	1360200505	1440200305	1440200305
4	Blanket	1	1003509403	1003509403	4001004	4001004
5	Hexagon socket screw, M8xP1.25x35L	4				
7	Spacer	1	1360207800	1360207800	1440201606	1440201606
8	Ball-bearing, 6205	1	91301020	91301020	91301020	91301020
9	Input-shaft	1	1360200603	1360200603	1440200403	1440200403
10	Spacer	2	1360206605	1360206605	1360206605	1360206605
11	Gear- i (20T)	1	1360200701	1360200701	1360200701	1360200701
12	Gear- g (41T)	1	1360200809	1360200809	1360200809	1360200809
13	Square key, 8x7x55L	1				
14	Ball-bearing, 6206	5	91301021	91301021	91301021	91301021
17	Housing	1	1120206903	1120206903	1120206903	1120206903
18	Oil-seal, TC30x50x8L	1				
19	Hexagon socket screw, M6xP1.0x20L	6				
20	Pulley wheel	1	3501020	3501020	3501020	3501020
21	Square key, 8x7x45L	3				
22	Spring-washer M12	1				
23	Screw , M12x30	1				
24	Shaft-B	1	1360202509	1360202509	1440200609	1440200609
25	Gear- d (39T)	1	1360200907	1360200907	1360200907	1360200907
26	Gear- b (32T)	1	1360201002	1360201002	1360201002	1360201002
27	Gear- f (48T)	1	1360201100	1360201100	1360201100	1360201100
28	Gear- k (46T)	1	1360201208	1360201208	1360201208	1360201208
29	Gear- o (22T)	1	1360201306	1360201306	1360201306	1360201306
30	Plug-cover	2	1360202901	1360202901	1360202901	1360202901
31	O-ring, P55x3.5	2				
32	Fixed pin	2	1120206707	1120206707	1120206707	1120206707
33	Set screw	2				
34	Shaft-A	1	1360202607	1360202607	1440200707	1440200707
34-1	Shaft-L	1	1360202705	1360202705	1440200805	1440200805
35	Ball-bearing, 6305	1	91301029	91301029	91301029	91301029
36	Gear- l (25T)	1	1360201404	1360201404	1360201404	1360201404
36-1	Square key, 7x10x18L	2				
37	Gear- m	1	1360206703	1360206703	1360206703	1360206703
38	Snap ring, S75	2				
39	Snap ring, S30	3				
40	Ball-bearing, 6006	2	91301013	91301013	91301013	91301013
41	Gear- e	1	1360201502	1360201502	1360201502	1360201502
42	Gear- a	1	1440202407	1440202407	1440202407	1440202407
43	Gear- c	1	1440202505	1440202505	1440202505	1440202505
44	Square key, 8x7x30L	1				
45	Snap ring, S55	2				
46	Snap ring, S38	2				
47	Gear- h (30T)	1	1360201600	1360201600	1360201600	1360201600
48	Gear- j (51T)	1	1360207504	1360207504	1360207504	1360207504
49	Square key, 8x7x25L	1				
50	Spacer	1	1360206801	1360206801	1360206801	1360206801

## HEADSTOCK ASSMBLY (Spindle Bore : 85mm or 3")

ITEM NO.	Part Name	Amt. Used	Type: 22 Part No.	Type: 26 Part No.	Type: 2680 Part No.	Type: 3080 Part No.
51	Cover	1	1360203104	1360203104	1360203104	1360203104
52	Spindle (A1-8)	1	136020031	136020031	1440200109	1440200109
	(D1-8)	1	1360200407	1360200407	1440200207	1440200207
53	Taper roller bearing, 32024	1	91302016	91302016	91302016	91302016
54	Cover (A1-8)	1	136020011	136020011	136020011	136020011
	(D1-8)	1	136020021	136020021	136020021	136020021
55	Hexagon socket screw, M6xP1.0x20L	6				
56	Gear- p (78T)	1	1360201708	1360201708	1360201708	1360201708
57	Gear- n (55T)	1	1360201806	1360201806	1360201806	1360201806
58	Square key, 10x8x85L	1				
59	Lock-nut	1	1360203202	1360203202	1360203202	1360203202
60	Set screw, M8xP1.25x8L	5				
61	Taper roller bearing, 32021	1	91302015	91302015	91302015	91302015
62	Lock-nut	1	1360203300	1360203300	1360203300	1360203300
63	Gear (48T)	1	1360201904	1360201904	1360201904	1360201904
64	Collar	1	1360203408	1360203408	1360203408	1360203408
65	Ball-bearing, 6020	1	91301034	91301034	91301034	91301034
66	Oil return collar	1	1360203506	1360203506	1360203506	1360203506
67	Cover	1	1360203604	1360203604	1360203604	1360203604
68-1	Lock-nut	1	1360203702	1360203702	1360203702	1360203702
68-2	Balance piece	3	1360203800	1360203800	1360203800	1360203800
68-3	Set screw	6				
69	Idle gear shaft	1	1120207508	1120207508	1120207508	1120207508
70	Spacer	4	1120206609	1120206609	1120206609	1120206609
71	Idle gear (32T)	1	1360202009	1360202009	1360202009	1360202009
72	O-ring, P29	1				
73	Washer	1	112020761	112020761	112020761	112020761
74	Hexagon socket screw, M6xP1.0x16L	16				
75	Shaft-c	1	1360202107	1360202107	1440200501	1440200501
76	Ball-bearing, 6304	2	91301028	91301028	91301028	91301028
77-1	Spacer	1	1360206909	1360206909	1360206909	1360206909
77-2	Spacer	1	1360207004	1360207004	1360207004	1360207004
78	Gear	1	1360207406	1360207406	1360207406	1360207406
79	Gear (22T)	1	1360202205	1360202205	1360202205	1360202205
80	Gear (48T)	1	1360202303	1360202303	1360202303	1360202303
81	Square key, 8x7x65L	2				
82	Cover	1	1360203908	1360203908	1360203908	1360203908
83	Shaft-D	1	1360202803	1360202803	1360202803	1360202803
84	Gear (33T)	1	1360202401	1360202401	1360202401	1360202401
85	Gear (44T)	1	1440202309	1440202309	1440202309	1440202309
86	Square key, 8x7x20L	1				
87	Snap ring, S45	1				
88	Housing	1	1360204003	1360204003	1360204003	1360204003
89	Seal-oil, TC25x47x8L	1				
90	Square key, 6x6x12L	1				
91	Collar	1	1121602203	1121602203	1121602203	1121602203
92	Taper pin, O # x25L	1				
93	Gear (in)	1	1121600405	1121600405	1121600405	1121600405
	Gear (mm)	1	1121600307	1121600307	1121600307	1121600307

## HEADSTOCK ASSMBLY (Spindle Bore : 85mm or 3")

ITEM NO.	Part Name	Amt. Used	Type: 22 Part No.	Type: 26 Part No.	Type: 2680 Part No.	Type: 3080 Part No.
94	Washer	1				
95	Shifting shaft	3	1360204101	1360204101	1360204101	1360204101
96	O-ring, P16	6				
97	Plug	3	1120207704	1120207704	1120207704	1120207704
98	Set screw	3	1360204209	1360204209	1360204209	1360204209
99	Shifting lever	3	1360204307	1360204307	1360204307	1360204307
100	Shifting fork	1	112020781	112020781	112020781	112020781
		1	112020791	112020791	112020791	112020791
101	Shifting fork	1	136020441	136020441	136020441	136020441
102	Shifting lever	3	1360204503	1360204503	1360204503	1360204503
103	Shifting lever	3	1360204601	1360204601	1360204601	1360204601
104	Shaft	3	1360204709	1360204709	1360204709	1360204709
105	Spring, D6xd0.8x25L	2				
106	Ball steel , $\phi$ 1/4"	2				
107	Detent plate	1	1360204905	1360204905	1360204905	1360204905
108	Detent plate	1	1360205000	1360205000	1360205000	1360205000
109	Detent plate	1	1360205108	1360205108	1360205108	1360205108
110	Hub	2	1360205206	1360205206	1360205206	1360205206
110-1	Hub		1360205304	1360205304	1360205304	1360205304
111	Square key, 5x5x15L	3				
112	Ball steel , $\phi$ 5/16"	3				
113	Spring, D8xd0.8x25L	1				
	Spring, D8xd1.1x29L	2				
114	Lever	3	1120207302	1120207302	1120207302	1120207302
115	Knob	3	1120207400	1120207400	1120207400	1120207400
116	Shaft	1	1360207200	1360207200	1440201302	1440201302
117	Shifting lever	2	1360205402	1360205402	1360205402	1360205402
119	Shifting fork	2	133020011	133020011	133020011	133020011
120	Detent plate	1	1360205608	1360205608	1360205608	1360205608
121	Detent plate	1	1360205706	1360205706	1360205706	1360205706
122	Knob	1	1360205804	1360205804	1360205804	1360205804
122-1	Knob	1	1360205902	1360205902	1360205902	1360205902
123	Shaft	1	1360207308	1360207308	1360207308	1360207308
124	Washer	5	1120206109	1120206109	1120206109	1120206109
125	Lever	2	1120207204	1120207204	1120207204	1120207204
126	Pin	2	1361600107	1361600107	1361600107	1361600107
127	Set screw, M8xP1.25x8L	3				
128	O-ring , P18	5				
129	Screw , M6xP1.0x14L	10				
130	Lenz-oil , $\phi$ 29	1	92552001	92552001	92552001	92552001
131	Spring pin , $\phi$ 5x30L	9				
132	Snap ring, S12	3				
133	Snap ring, S10	2				
134	Set screw, M12xP1.75x20L	2				
135	Hexagon socket screw, M8xP1.25x35L	2				



## HEADSTOCK ASSMBLY (Spindle Bore : 115mm or 4")

ITEM NO.	Part Name	Amt. Used	Type: 22 Part No.	Type: 26 Part No.	Type: 30 Part No.	名稱
1	Head stock	1	401001-224	401001-264	401001-304	主軸箱本體
2	Oil plug	1	1122103405	1122103405	1122103405	油塞
3	Head stock cover	1	1440200305	1440200305	1440200305	主軸箱蓋
4	Blanket	1	4001004	4001004	4001004	主軸箱蓋塑膠皮
5	Hexagon socket screw, M8xP1.25x35L	4				六角承窩螺絲
7	Spacer	1	1440201606	1440201606	1440201606	間隔圈
8	Ball-bearing, 6205	1	91301020	91301020	91301020	滾珠軸承
9	Input-shaft	1	1440200403	1440200403	1440200403	輸入軸
10	Spacer	2	1360206605	1360206605	1360206605	間隔圈
11	Gear- i (20T)	1	1360200701	1360200701	1360200701	齒輪
12	Gear- g (41T)	1	1360200809	1360200809	1360200809	齒輪
13	Square key, 8x7x55L	1				雙圓平行鍵
14	Ball-bearing, 6206	5	91301021	91301021	91301021	滾珠軸承
17	Housing	1	112020691	112020691	112020691	軸承蓋
18	Oil-seal, TC30x50x8L	1				油封
19	Hexagon socket screw, M6xP1.0x20L	6				六角承窩螺絲
20	Pulley wheel	1	9501020	9501020	9501020	從動皮帶輪
21	Square key, 8x7x45L	3				雙圓平行鍵
22	Spring-washer M12	1				彈簧墊圈
23	Screw , M12x30	1				六角承窩螺絲
24	Shaft-B	1	1440200609	1440200609	1440200609	B軸
25	Gear- d (39T)	1	1360200907	1360200907	1360200907	齒輪
26	Gear- b (32T)	1	1360201002	1360201002	1360201002	齒輪
27	Gear- f (48T)	1	1360201100	1360201100	1360201100	齒輪
28	Gear- k (46T)	1	1360201208	1360201208	1360201208	齒輪
29	Gear- o (22T)	1	1360201306	1360201306	1360201306	齒輪
30	Plug-cover	2	9501030	9501030	9501030	護蓋
31	O-ring, P55x3.5	2				O型環
32	Fixed pin	2	1120206707	1120206707	1120206707	護蓋固定銷
33	Set screw	2				固定螺絲
34	Shaft-A	1	1440200707	1440200707	1440200707	A軸
34-1	Shaft-L	1	1440200805	1440200805	1440200805	L軸
35	Ball-bearing, 6305	1	91301029	91301029	91301029	滾珠軸承
36	Gear- l (25T)	1	1360201404	1360201404	1360201404	齒輪
36-1	Square key, 7x10x18L	2				雙圓平行鍵
37	Gear- m	1	1360206703	1360206703	1360206703	齒輪
38	Snap ring, S75	2				扣環
39	Snap ring, S30	3				扣環
40	Ball-bearing, 6006	2	91301013	91301013	91301013	滾珠軸承
41	Gear- e	1	1360201502	1360201502	1360201502	齒輪
42	Gear- a	1	1440202407	1440202407	1440202407	齒輪
43	Gear- c	1	1440202505	1440202505	1440202505	齒輪
44	Square key, 8x7x30L	1				雙圓平行鍵
45	Snap ring, S55	2				扣環
46	Snap ring, S38	2				扣環
47	Gear- h (30T)	1	1360201600	1360201600	1360201600	齒輪

## HEADSTOCK ASSMBLY (Spindle Bore : 115mm or 4")

ITEM NO.	Part Name	Amt. Used	Type: 22 Part No.	Type: 26 Part No.	Type: 30 Part No.	名稱
48	Gear- j (51T)	1	1360207504	1360207504	1360207504	齒輪
49	Square key, 8x7x25L	1				雙圓平行鍵
50	Spacer	1	1360206801	1360206801	1360206801	間隔圈
51	Cover	1	1360203104	1360203104	1360203104	護蓋
52	Spindle (A1-11)	1	4001052-A04	4001052-A04	4001052-A04	主軸
	(D1-11)	1	4001052-D04	4001052-D04	4001052-D04	
53	Taper roller bearing, 32032	1	91302018	91302018	91302018	滾珠軸承
54	Cover	1	9501054	9501054	9501054	主軸前護蓋
55	Hexagon socket screw, M6xP1.0x20L	6				六角承窩螺絲
56	Gear- p (95T)	1	M501056	M501056	M501056	齒輪
57	Gear- n (72T)	1	M501057	M501057	M501057	變速齒輪
58	Square key, 10x8x85L	1				雙圓平行鍵
59	Lock-nut	1	9501059	9501059	9501059	逼緊螺帽
60	M8xP1.25x8L	5	91120808	91120808		固定螺絲
61	Taper roller bearing, 32030	1	91302017	91302017	91302017	滾錐軸承
62	Lock-nut	1	9201062	9501062	9501062	逼緊螺帽
63	Gear (65T)	1	M501063	M501063	M501063	齒輪
64	Collar	1	9501064	9501064	9501064	軸環
65	Ball-bearing, 6028	1	91301049	91301049	91301049	滾珠軸承
66	Oil return collar	1	9501066	9501066	9501066	回油軸環
67	Cover	1	9501067	9501067	9501067	主軸後護蓋
68-1	Lock-nut	1	9501068	9501068	9501068	逼緊螺帽
68-2	Balance piece	3	9501068-1	9501068-1	9501068-1	平衡片
68-3	Set screw	6				定位螺絲
69	Idle gear shaft	1	9501069	9501069	9501069	惰輪軸
70	Spacer	4	1120206609	1120206609	1120206609	間隔圈
71	Idle gear (34T)	1	M501071	M501071	M501071	惰輪
72	O-ring, P29	1				O型環
73	Washer	1	112020761	112020761	112020761	墊圈
74	Hexagon socket screw, M6xP1.0x16L	16				六角承窩螺絲
75	Shaft-c	1	M501075	M501075	M501075	齒輪軸
76	Ball-bearing, 6304	2	91301028	91301028	91301028	滾珠軸承
77-1	Spacer	1	1360206909	1360206909	1360206909	間隔圈
77-2	Spacer	1	1360207004	1360207004	1360207004	間隔圈
78	Gear (42T)	1	M501078	M501078	M501078	齒輪
79	Gear (28T)	1	M501079	M501079	M501079	齒輪
80	Gear (65T)	1	M501080	M501080	M501080	齒輪
81	Square key, 8x7x65L	2				雙圓平行鍵
82	Cover	1	1360203908	1360203908	1360203908	護蓋
83	Shaft-D	1	1440200903	1440200903	1440200903	D軸
84	Gear (42T)	1	M501084	M501084	M501084	齒輪
85	Gear (56T)	1	M501085	M501085	M501085	齒輪
86	Square key, 8x7x20L	1				雙圓平行鍵
87	Snap ring, S45	1				扣環
88	Housing	1	1360204003	1360204003	1360204003	軸承蓋
89	Seal-oil, TC25x47x8L	1				油封



## HEADSTOCK ASSMBLY (Spindle Bore : 115mm or 4")

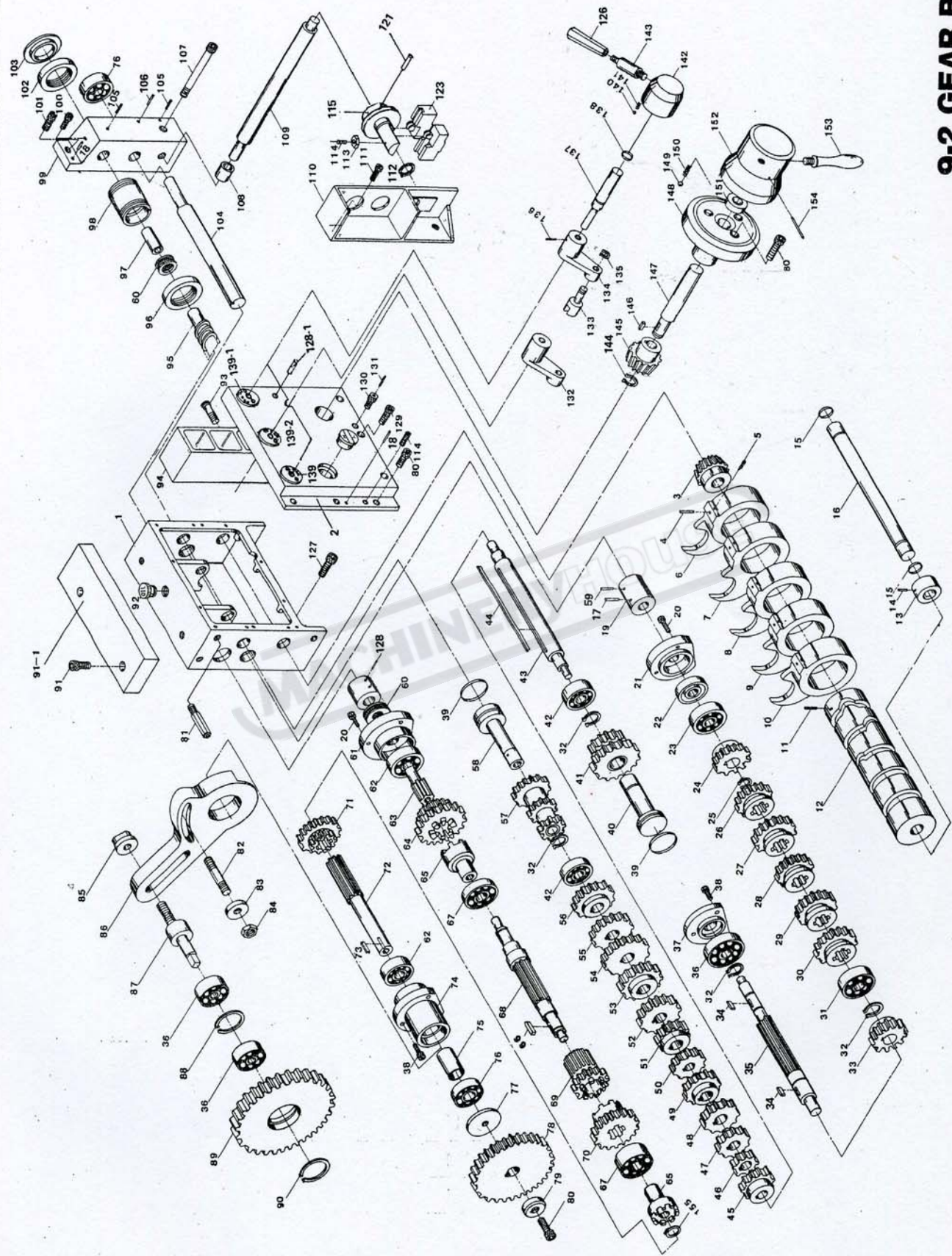
ITEM NO.	Part Name	Amt. Used	Type: 22 Part No.	Type: 26 Part No.	Type: 30 Part No.	名稱
90	Square key, 6x6x12L	1				雙圓平行鍵
91	Collar	1	1121602203	1121602203	1121602203	軸環
92	Taper pin, O # x25L	1				推拔銷
93	Gear (in)	1	1121600405	1121600405	9501093-2	輸出齒輪
	Gear (mm)	1	1121600307	1121600307	9401093-2	輸出齒輪
94	Washer	1				墊圈
95	Shifting shaft	3	9501095	9501095	9501095	撥桿軸
96	O-ring, P16	6				O型環
97	Plug	3	1120207704	1120207704	1120207704	塞子
98	Set screw	3	1360204209	1360204209	1360204209	定位螺絲
99	Shifting lever	3	9501099	9501099	9501099	搖臂
100	Shifting fork	1	112020781	112020781	112020781	撥塊
		1	112020791	112020791	112020791	撥塊
101	Shifting fork	1	1360204405	1360204405	1360204405	撥塊
102	Shifting lever	3	1360204503	1360204503	1360204503	搖臂
103	Shifting lever	3	1360204601	1360204601	1360204601	搖臂
104	Shaft	3	9501104	9501104	9501104	撥桿軸
105	Spring, D6xd0.8x25L	2				彈簧
106	Ball steel , φ1/4"	2				鋼珠
107	Detent plate	1	9501107	9501107	9501107	定位片
108	Detent plate	1	9501108	9501108	9501108	定位片
109	Detent plate	1	9501109	9501109	9501109	定位片
110	Hub	2	9501110	9501110	9501110	變速把手
110-1	Hub	1	1360205304	1360205304	1360205304	變速把手
111	Square key, 5x5x15L	3				雙圓平行鍵
112	Ball steel , φ5/16"	3				鋼珠
113	Spring, D8xd0.8x25L	1				彈簧
	Spring, D8xd1.1x29L	2				
114	Lever	3	1120207302	1120207302	1120207302	撥桿軸套
115	Knob	3	1120207400	1120207400	1120207400	電木把手
116	Shaft	1	9501116	9501116	9501116	撥桿軸
117	Shifting lever	2	9501117	9501117	9501117	搖臂
119	Shifting fork	2	133020011	133020011	133020011	撥塊
120	Detent plate	1	9501120	9501120	9501120	定位片
121	Detent plate	1	9501121	9501121	9501121	定位片
122	Knob	1	1360205804	1360205804	1360205804	變速把手
122-1	Knob	1	1360205902	1360205902	1360205902	變速把手
123	Shaft	1	9501123	9501123	9501123	撥桿軸
124	Washer	5	1120206109	1120206109	1120206109	墊圈
125	Lever	2	1120207204	1120207204	1120207204	後列變換齒輪把手
126	Pin	2	1361600107	1361600107	1361600107	調整銷
127	Set screw, M8xP1.25x8L	3				固定螺絲
128	O-ring , P18	5				O型環
129	Screw , M6xP1.0x14L	10				六角孔埋頭螺絲
130	Lenz-oil , φ 29	1	92552001	92552001	92552001	油鏡
131	Spring pin , φ5x30L	9				彈簧銷
132	Snap ring, S12	3				扣環
133	Snap ring, S10	2				扣環

## HEADSTOCK ASSMBLY (Spindle Bore : 115mm or 4")

ITEM NO.	Part Name	Amt. Used	Type: 22 Part No.	Type: 26 Part No.	Type: 30 Part No.	名稱
134	Set screw, M12xP1.75x20L	2				固定螺絲
135	Hexagon socket screw, M8xP1.25x35L	2				六角承窩螺絲

MACHINERYHOUSE

# 9-2 GEAR BOX



## GEAR BOX ASSEMBLY

ITEM NO.	Part Name	Amt. Used	Type: 20 GW Part No.	Type: 22, 26 Part No.	Type:2280, 2680 Part No.	Type: 30 Part No.	名稱
1	Gear box	1	1210300307	1210300307	1210300307	1210300307	齒輪箱本體
2	Cover-gear box	1	142030011	142030011	142030011	142030011	齒輪箱蓋
3	Gear-driven bevel	1	121030041	121030041	121030041	121030041	從動傘齒輪
4	Pin-fixed	5	1210300503	1210300503	1210300503	1210300503	固定銷
5	Pin-split	5					開口銷
6	Claw-shifter	1	1210300601	1210300601	1210300601	1210300601	撥爪
7	Claw-shifter	1	1210300709	1210300709	1210300709	1210300709	撥爪
8	Claw-shifter	1	1210300807	1210300807	1210300807	1210300807	撥爪
9	Claw-shifter	1	1210300905	1210300905	1210300905	1210300905	撥爪
10	Claw-shifter	1	1210301000	1210301000	1210301000	1210301000	撥爪
11	Set screw, M8xP1.25x8L	1					固定螺絲
12	Cam-shifter	1	121030121	121030121	121030121	121030121	變速凸輪
13	Collar	1	1210301304	1210301304	1210301304	1210301304	H軸固定環
14	Set-screw , M8x12	1					車削螺絲
15	Ring-"O" , P18	2					O型環
16	Shaft-"A"	1	1210301402	1210301402	1210301402	1210301402	H軸
17	Pintaper , # 4x38	2					推拔銷
18	Pintaper , # 6x38	2	1210702301	1210702301	1210702301	1210702301	推拔銷
19	Collar-linkage	2	1210301500	1210301500	1210301500	1210301500	螺桿連接軸
20	Hexagon socket screw, M6xP1.0x20L	6					六角承窩螺絲
21	Cap-right	1	1210301608	1210301608	1210301608	1210301608	右下護蓋
22	Seal-oil , 20x40x10L	1					油封
23	Bearing-ball , 6204	1	91301018	91301018	91301018	91301018	滾珠軸承
24	Gear-"B" shaft (36T)	1	1210301706	1210301706	1210301706	1210301706	G軸齒輪
25	Snap ring , S25	2					扣環
26	Gear-"B" shaft (22T)	1	1210301804	1210301804	1210301804	1210301804	G軸齒輪
27	Gear-"B" shaft (22T)	1	1210301902	1210301902	1210301902	1210301902	G軸齒輪
28	Gear-"B" shaft (33T)	1	1210302007	1210302007	1210302007	1210302007	G軸齒輪
29	Gear-"B" shaft (22T)	1	1210302105	1210302105	1210302105	1210302105	G軸齒輪
30	Gear-"B" shaft (22T)	1	1210302203	1210302203	1210302203	1210302203	G軸齒輪
31	Bearing ball, 6004	1	91301006	91301006	91301006	91301006	滾珠軸承
32	Snap ring , S20	2					扣環
	Snap ring , S18	2					扣環
33	Gear-"B" shaft (22T)	1	1210302301	1210302301	1210302301	1210302301	G軸齒輪
34	Key-square , 6x6x20L	2					雙圓平行鍵
35	Shaft-"B"	1	1210302409	1210302409	1210302409	1210302409	G軸
36	Bearing ball , 6003	3	91301005	91301005	91301005	91301005	滾珠軸承
37	Cap-left	1	121030251	121030251	121030251	121030251	左下護蓋
38	Hexagon socket screw, M6xP1.0x20L	6					六角承窩螺絲
39	Ring-"O" , P36	2					O型環
40	Shaft-"C"	1	1210302605	1210302605	1210302605	1210302605	E軸
41	Gear-"C" shaft (20T.20T)	1	1210302703	1210302703	1210302703	1210302703	E軸齒輪
42	Bearing , 6203	2	91301016	91301016	91301016	91301016	滾珠軸承
43	Shaft-"D"	1	1210302801	1210302801	1210302801	1210302801	D軸
44	Key-square ,	1					雙圓平行鍵

## GEAR BOX ASSEMBLY

ITEM NO.	Part Name	Amt. Used	Type: 20 GW Part No.	Type: 22, 26 Part No.	Type:2280, 2680 Part No.	Type: 30 Part No.	名稱
	6x6x146L	1					受圓平行鍵
45	Gear-"D" shaft (19T)	1	1210302909	1210302909	1210302909	1210302909	D軸齒輪
46	Gear-"D" shaft (18T)	1	1210303004	1210303004	1210303004	1210303004	D軸齒輪
47	Gear-"D" shaft (20T)	1	1210303102	1210303102	1210303102	1210303102	D軸齒輪
48	Gear-"D" shaft (22T)	1	1210303200	1210303200	1210303200	1210303200	D軸齒輪
49	Gear-"D" shaft (23T)	1	1210303308	1210303308	1210303308	1210303308	D軸齒輪
50	Gear-"D" shaft (24T)	1	1210303406	1210303406	1210303406	1210303406	D軸齒輪
51	Gear-"D" shaft (27T)	1	1210303504	1210303504	1210303504	1210303504	D軸齒輪
52	Gear-"D" shaft (24T)	1	1210303602	1210303602	1210303602	1210303602	D軸齒輪
53	Gear-"D" shaft (26T)	1	1210303700	1210303700	1210303700	1210303700	D軸齒輪
54	Gear-"D" shaft (36T)	1	1210303808	1210303808	1210303808	1210303808	D軸齒輪
55	Gear-"D" shaft (27T)	1	1210303906	1210303906	1210303906	1210303906	D軸齒輪
56	Gear-"D" shaft (28T)	1	1210304001	1210304001	1210304001	1210304001	D軸齒輪
57	Gear-"E" shaft (18T.36T)	1	1210304109	1210304109	1210304109	1210304109	F軸齒輪
58	Shaft-"E"	1	1210304207	1210304207	1210304207	1210304207	F軸
59	Pin-taper , 3x35	1	1003502904	1003502904	1003502904	1003502904	鐵斜銷
60	Bearing-thrust, 51104	1	91303003	91303003	91303003	91303003	止推軸承
61	Cap	1	1210304305	1210304305	1210304305	1210304305	右上護套
62	Bearing ball , 6004V	2	91301008	91301008	91301008	91301008	滾珠軸承
63	Shaft-"F"	1	1210304403	1210304403	1210304403	1210304403	C軸
64	Gear-"F" shaft (35T.35T)	1	1210304501	1210304501	1210304501	1210304501	C軸齒輪
65	Shaft-"F"	1	1210304609	1210304609	1210304609	1210304609	離合器
		1	1210304707	1210304707	1210304707	1210304707	離合器
66	Square key, 4x4x20L	2					雙圓平行鍵
67	Bearing ball , 6005	2	91301010	91301010	91301010	91301010	滾珠軸承
68	Shaft-"G"	1	1210304805	1210304805	1210304805	1210304805	A軸
69	Gear-"G" shaft	1	1210304903	1210304903	1210304903	1210304903	A軸變速齒輪
70	Gear-"G" shaft (36T)	1	1210305008	1210305008	1210305008	1210305008	A軸齒輪
71	Gear-"H" shaft (38T.19T)	1	1210305106	1210305106	1210305106	1210305106	B軸離合齒輪
72	Shaft-"H"	1	1420300206	1420300206	1420300206	1420300206	B軸
73	Key-square , 6x6x13L	1					單圓平行鍵
74	Cap-bearing	1	1210305204	1210305204	1210305204	1210305204	軸承套
75	Bushing-"H" shaft	1	1210305302	1210305302	1210305302	1210305302	間隔環
76	Bearing ball , 6004Z	2	91301007	91301007	91301007	91301007	滾珠軸承
77	Spacer	1	1361600303	1361600303	1361600303	1361600303	B軸擋塊
78	Gear-drive shaft (in 57T)	1	1121600601	1121600601	1121600601	1121600601	傳動齒輪
	(mm 92T)	1	1121600503	1121600503			
79	Washer , M8	1	1121602105	1121602105	1121602105	1121602105	特殊墊塊
80	Hexagon socket screw, P1.25x16L	1					六角承窩螺絲
81	Bolt-lock end cover	1	1362100204	1362100204	1362100204	1362100204	側蓋鎖緊螺栓
82	Stud	1	1361600509	1361600509	1361600509	1361600509	螺栓
83	Washer , 5/8"	1	1362101407	1362101407	1362101407	1362101407	墊圈
84	Nut , M16	1					螺帽
85	Nut-lock stud	1	1121601706	1121601706	1121601706	1121601706	齒輪軸螺帽



## GEAR BOX ASSEMBLY

ITEM NO.	Part Name	Amt. Used	Type: 20 GW Part No.	Type: 22, 26 Part No.	Type:2280, 2680 Part No.	Type: 30 Part No.	名稱
86	Quadrat	1	136160042	136160042	136160042	4002086	可調支架
87	Stud-gear	1	1361600607	1361600607	1361600607	1361600607	活動齒輪軸
88	Snap-ring , R40	1					扣環
89	Gear-quadrat (in 71T)	1	1121600209				惰輪
	(in 82T)	1		1321600203			
	(in 85T)	1			1531600200	1531600200	
	(mm 84T)	1	1121600101				
	(mm 98T)	1		1321600105			
	(mm 122T)	1			1531600102	1531600102	
90	Snap ring , S18	1					扣環
91	Hexagon socket screw, M6xP1.0x25L	2					六角承窩螺絲
91-1	Cover	1	1362101103	1362101103	1542100104	1542100104	齒輪箱上蓋
92	Plug-oil inlet	1	1122101401	1122101401	1122101401	1122101401	油塞
93	Hexagon socket screw, M6xP1.0x65L	2					六角承窩螺絲
94	Seat-pilot light	1	1210701206	1210701206	1210701206	1210701206	指示燈座
95	Lead-screw (6 feet in)	1	1420700206	1420700206			導螺桿
	(6 feet mm)	1	1420700108	1420700108			
	(8 feet in)	1	1430700209	1430700209			
	(8 feet mm)	1	1430700101	1430700101			
	(10 feet in)	1			1440700202	1440700202	
	(10 feet mm)	1			1440700104	1440700104	
	(15 feet in)	1			4002095-E15	4002095-E15	
	(15 feet mm)	1			4002095-M15	4002095-M15	
	(18 feet in)	1			4002095-E18	4002095-E18	
	(18 feet mm)	1			4002095-M18	4002095-M18	
96	Nut-lock	1	1420700706	1420700706	1420700706	1420700706	導螺桿調整軸套
97	Bushing-leadscrew	1					
98	Plug-lead screw	1	1420700706	1420700706	1420700706	1420700706	導螺桿調整軸套
99	Supporter-for Lead-screw, feed rod	1	142070081	142070081	142070081	142070081	三桿支架
100	Plug-oil inlet	1	1122101509	1122101509	1122101509	1122101509	銅油塞
101	Hexagon socket screw, M8xP1.25x30L	1					六角承窩螺絲
102	Nut-lock	1	1420700706	1420700706	1420700706	1420700706	導螺桿調整軸套
103	Plug-plastic	1	1122101607	1122101607	1122101607	1122101607	側封蓋
104	Rod-feed (6 feet)	1	1420700402	1420700402			自動進刀輸出軸
	(8 feet)	1	1420700304	1420700304			
	(10 feet)	1			1440700300	1440700300	
	(12 feet)	1			4002104-012	4002104-012	
	(15 feet)	1			4002104-015	4002104-015	
	(18 feet)	1			4002104-018	4002104-018	
105	Hexagon socket screw, M6xP1.0x20L	2					六角承窩螺絲
106	Pin-taper , 6x100L	1					推拔銷
107	Hexagon socket screw	1					六角承窩螺絲
108	Bushing-spindle starting rod	1	1420700902	1420700902	1420700902	1420700902	啟動桿軸襯

## GEAR BOX ASSEMBLY

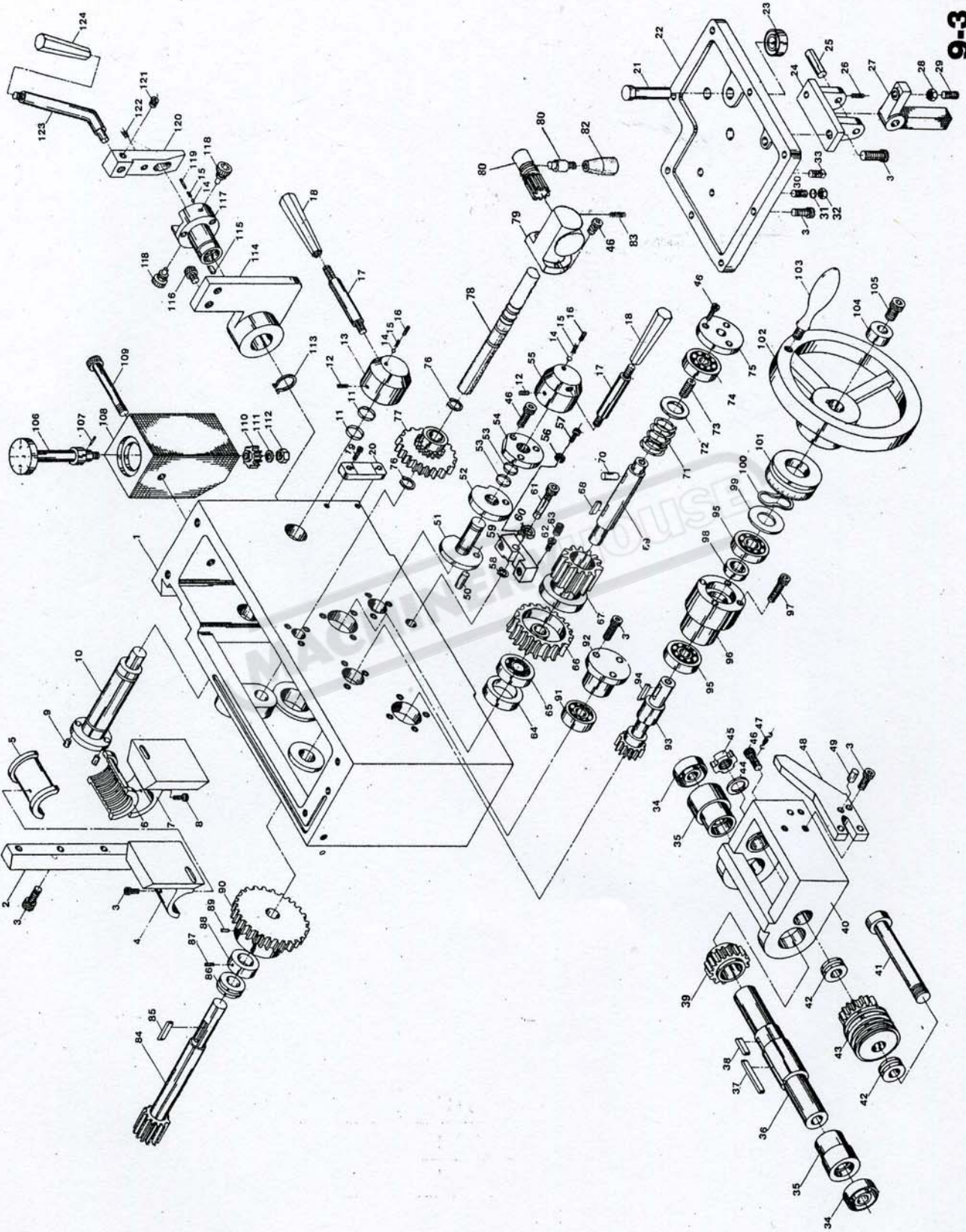
ITEM NO.	Part Name	Amt. Used	Type: 20 GW Part No.	Type: 22, 26 Part No.	Type:2280, 2680 Part No.	Type: 30 Part No.	名稱
109	Rod-spindle starting switch (6 feet)	1	1420701105	1420701105	1420701105	1420701105	啟動桿
	(8 feet)	1	1430700405	1430700405	1430700405		
	(10 feet)	1		1440700408	1440700408	1440700408	
	(12 feet)	1		4002109-012	4002109-012	4002109-012	
	(15 feet)	1		4002109-015	4002109-015	4002109-015	
	(18 feet)	1		4002109-018	4002109-018	4002109-018	
110	Seat-switch	1	1210701304	1210701304	1210701304	1210701304	開關護板
111	Hexagon socket screw, M8xP1.25x25L	2					六角承窩螺絲
112	Snap ring , S30	1					扣環
113	Nut , M6xP1.0	1					螺帽
114	Set screw, M6xP1.0x20L	1	1210305400	1210305400	1210305400	1210305400	固定螺絲
115	Bracket	1	1210701402	1210701402	1210701402	1210701402	啟動器
121	Pin , 5x25L	1					彈簧銷
122	Hexagon socket screw, M6xP1.0x8L	1					六角承窩螺絲
123	Switch	2					微動開關
126	Knob	3	1120207400	1120207400	1120207400	1120207400	電木把手
127	Screw Socket head cap, M10xP1.5x35L	4					螺栓
128	Pin-taper , 0x35	1	1003502904	1003502904	1003502904	1003502904	鋁斜銷
128-1	Pin-taper , 6x45	1					推拔銷
129	Hexagon socket screw, M8xP1.25x40L	7					六角承窩螺絲
130	Screw-taper, oil outlet, PT 3/8	1					油塞
132	Shifter	1	1210305606	1210305606	1210305606	1210305606	變速撥塊
133	Shoe-shifter	2	1210305704	1210305704	1210305704	1210305704	撥塊
		1	1210305802	1210305802	1210305802	1210305802	撥塊
134	Shifter	1	1210306005	1210306005	1210306005	1210306005	變速撥塊
		1	1210305900	1210305900	1210305900	1210305900	
135	Snap ring , S10	3					扣環
136	Pin-spring , 5x25	3					彈簧銷
137	Shaft-shifter	3	1210306103	1210306103	1210306103	1210306103	變速撥桿軸
138	Ring-"O" , P12	3					O型環
139	Detent plate	1	1210306201	1210306201	1210306201	1210306201	變速定位片
139-1	Detent plate	1	1210306309	1210306309	1210306309	1210306309	變速定位片
139-2	Detent plate	1	1210306407	1210306407	1210306407	1210306407	變速定位片
140	Ball steel , 1/4	3	91820104	91820104	91820104	91820104	鋼珠
141	Spring , 1x6x30L	3					彈簧
142	Hub	3	1210306505	1210306505	1210306505	1210306505	把手頭
143	Lever	3	1210306701	1210306701	1210306701	1210306701	撥桿軸套
144	Snap ring, S15	1					扣環
145	Gear-drive bevel	1	1210306809	1210306809	1210306809	1210306809	主動傘齒輪
146	Key-square , 5x5x25L	1					雙圓平行鍵

## GEAR BOX ASSEMBLY

ITEM NO.	Part Name	Amt. Used	Type: 20 GW Part No.	Type: 22, 26 Part No.	Type:2280, 2680 Part No.	Type: 30 Part No.	名稱
147	Shaft-bevel gear	1	1210306907	1210306907	1210306907	1210306907	十段變速軸
148	Seat-gear shifting	1	1210307002	1210307002	1210307002	1210307002	十段變速座
149	Ball steel , 5/16	2					鋼珠
150	Spring , 1x6x22L	2					彈簧
151	Seal-oil , 25x35x10L	1					油封
152	Hub	1	1210307100	1210307100	1210307100	1210307100	十段變速把手頭
153	Handle	3	1120207204	1120207204	1120207204	1120207204	把手
		3	1220200100	1220200100	1220200100	1220200100	電木把手
154	Pin, 5x50	1					彈簧銷

MACHINERYHOUSE

# 9-3 APRON



## APRON ASSEMBLY

ITEM NO.	Part Name	Amt. Used	Type: 20 GW Part No.	Type: 22, 26 Part No.	Type:2280, 2680 Part No.	Type: 30 Part No.	名稱
1	Body-Apron (right hand)	1	142090174	142090174	142090174	142090174	護床本體
	(left hand)	1	142090013	142090013	142090013	142090013	
2	Gib	1	1420900804	1420900804	1420900804	1420900804	嵌條
3	Hexagon socket screw, M6xP1.0x20L	17					六角承窩螺絲
4	Holder-half nut (right)	1	1420900402	1420900402	1420900402	1420900402	半開螺帽座
	(left)	1	1420900304	1420900304	1420900304	1420900304	
5	Nut-half (in)	1	142090053	142090053	142090053	142090053	半開螺帽
	(mm)	1	142090063	142090063	142090063	142090063	
6	Nut-half (in)	1	142090053	142090053	142090053	142090053	半開螺帽
	(mm)	1	142090063	142090063	142090063	142090063	
7	Holder-half nut	1					
8	Hexagon socket screw, M6xP1.0x16L	1					六角承窩螺絲
9	Pin-sliding	2	1210902507	1210902507	1210902507	1210902507	滑塊銷
10	Shaft-half nut (right)	1	1210900807	1210900807	1210900807	1210900807	半開螺帽心軸
	(left)	1	1210900709	1210900709	1210900709	1210900709	
11	Ring-O , P26	2					O型環
12	Set screw, M12xP1.75x20L	2					固定螺絲
13	Hub (right)	1	121090141	121090141	121090141	121090141	撥桿軸套
	(left)	1	1210901304	1210901304	1210901304	1210901304	
14	Ball-steel , 1/4"	4	91820104	91820104	91820104	91820104	鋼珠
15	Spring , φ 1x6x30L	3					彈簧
16	Set screw, M8xP1.25x10L	2					固定螺絲
17	Lever	2	1210902703	1210902703	1210902703	1210902703	手柄
18	Knob	2	1120207400	1120207400	1120207400	1120207400	電木把手
19	Hexagon socket screw, M10xP1.5x25L	2					六角承窩螺絲
20	Lenx-oil, CTA-8	1	1210902801	1210902801	1210902801	1210902801	油鏡
21	Shaft-auto stop	1	1210902909	1210902910	1210902911	1210902912	挺桿
22	Cover-bottom apron	1	1210903004	1210903004	1210903004	1210903004	護床底蓋
23	Seal-oil , 15x25x7	1					油封
24	Seat-tappet	1	1121601804	1121601804	1121601804	1121601804	自動停止挺桿座
25	Shaft-tappet	1	1121601902	1121601902	1121601902	1121601902	止動心軸
26	Set screw, M6xP1.0x16L	2					固定螺絲
27	Tappet	1	1121602007	1121602007	1121602007	1121602007	自動停止挺桿座
28	Nut , M8xP1.25	1					螺帽
29	Set screw, M8xP1.25x30L	1					固定螺絲
30	Set screw, M6xP1.0x40L	1					固定螺絲
31	Ring-O , P6	1					O型環
32	Nut , M6xP1.0	1					螺帽
33	Screw-oil leakage ,	1					油塞



## APRON ASSEMBLY

ITEM NO.	Part Name	Amt. Used	Type: 20 GW Part No.	Type: 22, 26 Part No.	Type:2280, 2680 Part No.	Type: 30 Part No.	名稱
33	PT1/4	1					油塞
34	Seal-oil , 34x45x11L	2					油封
35	Bushing	2	1420900902	1420900902	1420900902	1420900902	軸襯
36	Sleeve-feed rod	1	1420901007	1420901007	1420901007	1420901007	自動進刀軸套
37	Key-square , 6x6x42L	1					雙圓平行鍵
38	Key-square , 6x6x12L	1					雙圓平行鍵
39	Gear	1	1210903200	1210903200	1210903200	1210903200	齒輪
40	Seat-worm	1	1210903308	1210903308	1210903308	1210903308	蝸桿座
41	Shaft-worm	1	1210903406	1210903406	1210903406	1210903406	蝸桿心軸
42	Bearing-thrust , 2904	2	91311005	91311005	91311005	91311005	止推軸承
43	Worm gear	1	1420901105	1420901105	1420901105	1420901105	蝸桿
44	Washer-lock , 20	1					太陽墊圈
45	Nut	1					蝸桿心軸螺帽
46	Hexagon socket screw, M6xP1.0x12L	8					六角承窩螺絲
47	Spring,φ 1x10x60L (right)	1	121090541	121090541	121090541	121090541	彈簧
	(left)	1	121090551	121090551	121090551	121090551	
48	Block-safe device (right)	1	1210901000	1210901000	1210901000	1210901000	安全塊
	(left)	1	1420900706	1420900706	1420900706	1420900706	
49	Pin , 5x18L	2					彈簧銷
50	Pin	1					
51	Shaft-auto feed (right)	1	1210901206	1210901206	1210901206	1210901206	撥軸
	(left)	1	1210901108	1210901108	1210901108	1210901108	
52	Collar	1					撥軸
53	Ring-O , P16	2					O型環
54	Cover	1	1210903602	1210903602	1210903602	1210903602	軸蓋
55	Hub (right)	1	121090141	121090141	121090141	121090141	撥桿軸套
	(left)	1	1210901304	1210901304	1210901304	1210901304	
56	Spring washer , M12	1					彈簧墊圈
57	Hexagon socket screw, M8xP1.25x12L	1					六角承窩螺絲
58	Snap ring , S10	1					扣環
59	Lever	1	1210903700	1210903700	1210903700	1210903700	自動停止槓桿
60	Spring washer , M12	1					彈簧墊圈
61	Screw	1	1210903808	1210903808	1210903808	1210903808	槓桿心軸
62	Hexagon socket screw, M5xP0.8x20L	1					六角承窩螺絲
63	Spring	1	1210905606	1210905606	1210905606	1210905606	彈簧
64	Spacer	1	1210903906	1210903906	1210903906	1210903906	密封塊
65	Bearing ball , 6005V	1	91301012	91301012	91301012	91301012	滾珠軸承
66	Worm-wheel	1	1420901203	1420901203	1420901203	1420901203	蝸輪
67	Wheel-friction	1	1420901301	1420901301	1420901301	1420901301	離合齒輪
68	Key-square , 7x7x12L	1					雙圓平行鍵
69	Shaft-worm wheel	1	1210904001	1210904001	1210904001	1210904001	離合器心軸
70	Pin	1	1210904109	1210904109	1210904109	1210904109	墊圈檔塊
71	Spring, compressing	1	1210905302	1210905302	1210905302	1210905302	彈簧
72	Washer	1	1210904207	1210904207	1210904207	1210904207	墊片

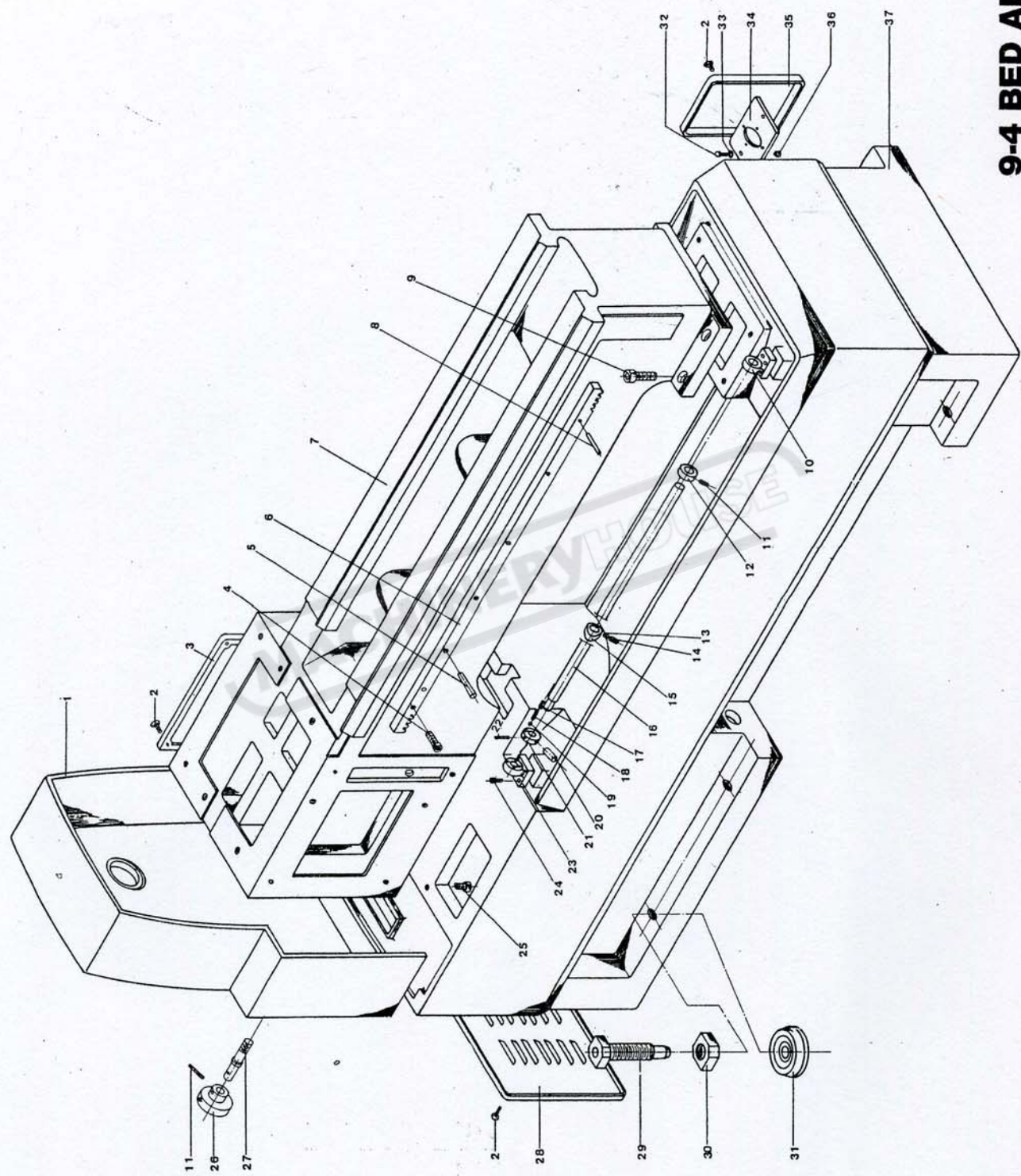
## APRON ASSEMBLY

ITEM NO.	Part Name	Amt. Used	Type: 20 GW Part No.	Type: 22, 26 Part No.	Type:2280, 2680 Part No.	Type: 30 Part No.	名稱
73	Screw-hexa. Socket headless set	1					固定螺絲
74	Bearing ball , 6204	1	91301018	91301018	91301018	91301018	滾珠軸承
75	Cover	1	1210904305	1210904305	1210904305	1210904305	離合器
76	Snap ring , S20	2					扣環
77	Gear	1	1420901409	1420901409	1420901409	1420901409	齒輪
78	Shaft-cross feed	1	121090441	121090441	121090441	121090441	縱橫變換軸
79	Set (right)	1	1210901608	1210901608	1210901608	1210901608	變換軸套
80	(left)	1	1210901500	1210901500	1210901500	1210901500	
81	Shaft-lever	1	1210904501	1210904501	1210904501	1210904501	縱橫變換齒輪
82	Lever	1	1120207400	1120207400	1120207400	1120207400	電木把手
83	Screw-hexa. Socket headless set	1					固定螺絲
84	Pinion-rack	1	121094707	121094707	121094707	121094707	中間軸
85	Key-square , 6x6x20L	1					雙園平行鍵
86	Bering-middle , NK20/22	1	91311001	91311001	91311001	91311001	滾針軸承
87	Set screw, M6xP1.0x10L	1					固定螺絲
88	Collar	1	1210904805	1210904805	1210904805	1210904805	固定圈
89	Pin-spring , 6x36L	1					彈簧銷
90	Gear	1	1210904903	1210904903	1210904903	1210904903	中間軸齒輪
91	Bearing ball , 6003	1	91301005	91301005	91301005	91301005	滾珠軸承
92	Cover	1	1210905008	1210905008	1210905008	1210905008	軸套
93	Pinion-handwheel	1	1210905106	1210905106	1210905106	1210905106	手輪心軸
94	Key-square , 6x6x25L	1					雙園平行鍵
95	Bearing ball , 6004V	2	91301008	91301008	91301008	91301008	滾珠軸承
96	Seat	1	1210905204	1210905204	1210905204	1210905204	軸承套
97	Hexagon socket screw, M5xP0.8x20L	4					六角承窩螺絲
99	Waher	1	1210701608	1210701608	1210701608	1210701608	墊塊
100	Washer-wave type	1					浪型墊圈
101	Dial-rack (in)	1	1220900104	1220900104	1220900104	1220900104	刻度環
	(mm)	1	1220900202	1220900202	1220900202	1220900202	
102	Handwheel	1	112210171	112210171	112210171	112210171	手輪
103	Handle	1	1121102002	1121102002	1121102002	1121102002	手柄
104	Washer-lock	1	1122101901	1122101901	1122101901	1122101901	鎖緊墊片
105	Hexagon socket screw, M8xP1.25x20L	1					六角承窩螺絲
106	Dial-thread chasing (in)	1	1003514708	1003514708	1003514708	1003514708	指示表規
	(mm)	1	100351491	100351491	100351491	100351491	
107	Pin	1					
108	Seat-dial shaft	1	1003514502	1003514502	1003514502	1003514502	車牙表規座
109	Hexagon socket screw, M10xP1.25x65L	1					六角承窩螺絲
110	Gear (in 16T)	1	1003514600	1003514600	1003514600	1003514600	齒輪
	(mm 11T)	1	1003502502	1003502502	1003502502	1003502502	

## APRON ASSEMBLY

ITEM NO.	Part Name	Amt. Used	Type: 20 GW Part No.	Type: 22, 26 Part No.	Type:2280, 2680 Part No.	Type: 30 Part No.	名稱
	(mm 13T)	1	1003502600	1003502600	1003502600	1003502600	
	(mm 14T)	1	1003514806	1003514806	1003514806	1003514806	
	(mm 15T)	1	1003502708	1003502708	1003502708	1003502708	
111	Washer-spring , 10	1					彈簧墊圈
112	Nut , M10xP1.5	1					螺帽
113	Snap ring , S30	1					扣環
114	Seat-switch	1	1210701706	1210701706	1210701706	1210701706	開關座
115	Key-square , 6x8x25L	1					雙園平行鍵
116	Hexagon socket screw, M8xP1.25x16L	2					六角承窩螺絲
117	Bracket	1	121070181	121070181	121070181	121070181	啟動桿座
118	Screw-lock	2					特殊固定螺栓
119	Screw-hexa. Socket headless cap	1	1210702007	1210702007	1210702007	1210702007	停止定位銷
120	Seat-lever	1	1210702105	1210702105	1210702105	1210702105	啟動桿
121	Set screw, M8xP1.25x8L	2					固定螺絲
122	Spring	1					彈簧
123	Lever	1	1210702203	1210702203	1210702203	1210702203	把手
124	Sleeve-lever	1	1122103601	1122103601	1122103601	1122103601	電木把手

MACHINERYHOUSE



**9-4 BED AND BASE**

## BED AND BASE ASSEMBLY

ITEM NO.	Part Name	Amt. Used	Type: 20 GW Part No.	Type: 22 Part No.	Type: 26 Part No.	Type: 30 Part No.	名稱
1	Cover-end	1	1361600705	1431600100	1531600308	1541600301	主軸側蓋
	(10 feet Ø85mm)	1		1441600103	1541600301		
	(10 feet Ø115mm)	1		4004001-022	4004001-026	4004001-030	
2	Head, M6xP1.0x20L	12					十字埋頭螺絲
3	Cover-electric box	1	1122102006	1122102006	1122102006	1122102006	配電箱板蓋
4	Hexagon socket screw, M6xP1.0x25L	10					六角承窩螺絲
5	Pin-taper,6x35 (6 feet)	2					彈簧銷
	(8 feet)	5					
	(10 feet)	5					
6	Rack (6 feet)	1	1420701007	1420701007	1420701007		齒條
	(8 feet)	1	143070051	143070051	143070051		
	(10 feet)	1		144070051	144070051	144070051	
7	Bed	1					床身
9	Hexagon socket screw, M16xP2.0x45L	4					六角承窩螺絲
10	Supporter-shaft	1	1122102104	1122102104	1122102104	1122102104	右軸台
11	Set screw, M6xP1.0x10L	2					固定螺絲
12	Collar	1	1122102202	1122102202	1122102202	1122102202	停止軸套環
13	Shoe-brass	4	1122102300	1122102300	1122102300	1122102300	停止凸輪墊塊
14	Set screw, M6xP1.0x6L	1					固定螺絲
15	Cam-auto feed stopping	4	1122102408	1122102408	1122102408	1122102408	自動進刀停止凸輪
16	Shaft-auto stopping (6 feet)	1	1222100308	1222100308	1222100308		停止軸
	(8 feet)	1	1432100109	1432100109	1432100109		
	(10 feet)	1		1242100108	1242100108	1242100108	
	(12 feet)	1		4004016-012	4004016-012	4004016-012	
	(15 feet)	1		4001016-015	4001016-015	4001016-015	
	(18 feet)	1		4004016-018	4004016-018	4004016-018	
17	Set screw, M8xP1.25x8L	1					固定螺絲
18	Spring , 1x6x10L	1					彈簧
19	Ball steel , 1/4"	1	91820104	91820104	91820104	91820104	鋼珠
20	Lever-turning shaft	4	1122103807	1122103807	1122103807	1122103807	停止轉輪把手
21	Collar	1	1122103905	1122103905	1122103905	1122103905	自動停止轉輪
22	Set screw, M8xP1.25x10L	1					固定螺絲
23	Supporter-shaft	1	1122102604	1122102604	1122102604	1122102604	左軸台
24	Hexagon socket screw, M8xP1.25x16L	4					六角承窩螺絲
25	Hexagon socket screw, M16xP2.0x55L	8					六角承窩螺絲
26	Plug	1	1122102702	1122102702	1122102702	1122102702	側蓋鎖緊螺栓塞
27	Bolt-lock	1					
28	Cover-motor seat	2	1362100900	1362100900	1362100900	1362100900	床頭馬達孔蓋板

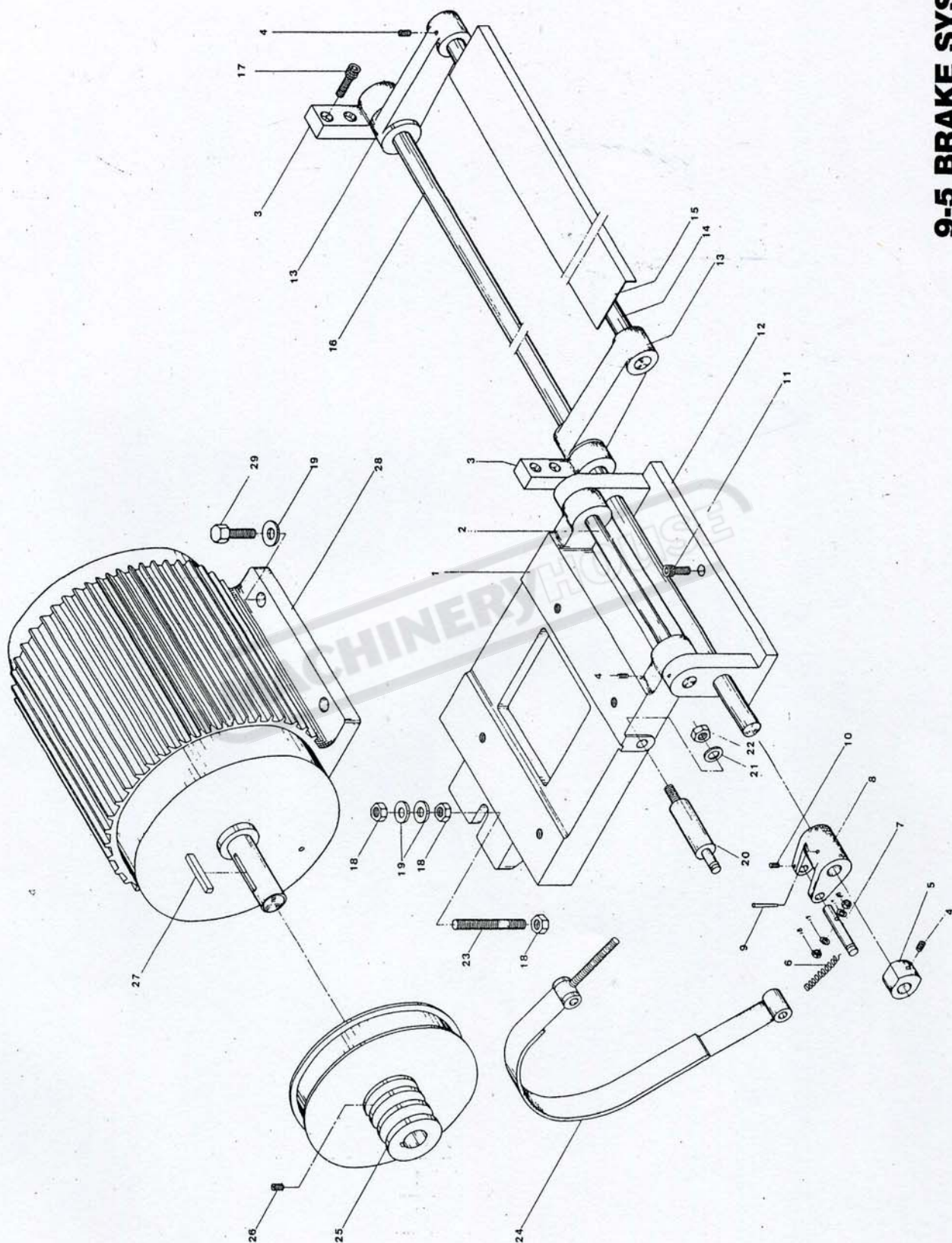


## BED AND BASE ASSEMBLY

ITEM NO.	Part Name	Amt. Used	Type: 20 GW Part No.	Type: 22 Part No.	Type: 26 Part No.	Type: 30 Part No.	名稱
29	Bolt-set machine	6	1122102800	1122102800	1122102800	1122102800	固定螺栓
30	Nut-lock	6	1122102800	1122102800	1122102800	1122102800	固定螺栓螺帽
31	Block-leveling	6	1003501809	1003501809	1003501809	1003501809	墊塊
32	Bolt-hexa. head , M8x38	2					外六角頭螺絲
33	Washer , W5/8"	2					墊圈
34	Seat-coolant pump	1	121010051	121010051	121010051	121010051	冷卻泵浦座
35	Cover-coolant motor seat (有插座孔)	1	1005000403	1005000403	1005000403	1005000403	泵浦外蓋
	(無插座孔)	1	1005000501	1005000501	1005000501	1005000501	
36	Nut-lock , M8	2					螺帽
37	Base	1					底座

MACHINERYHOUSE

# 9-5 BRAKE SYSTEM

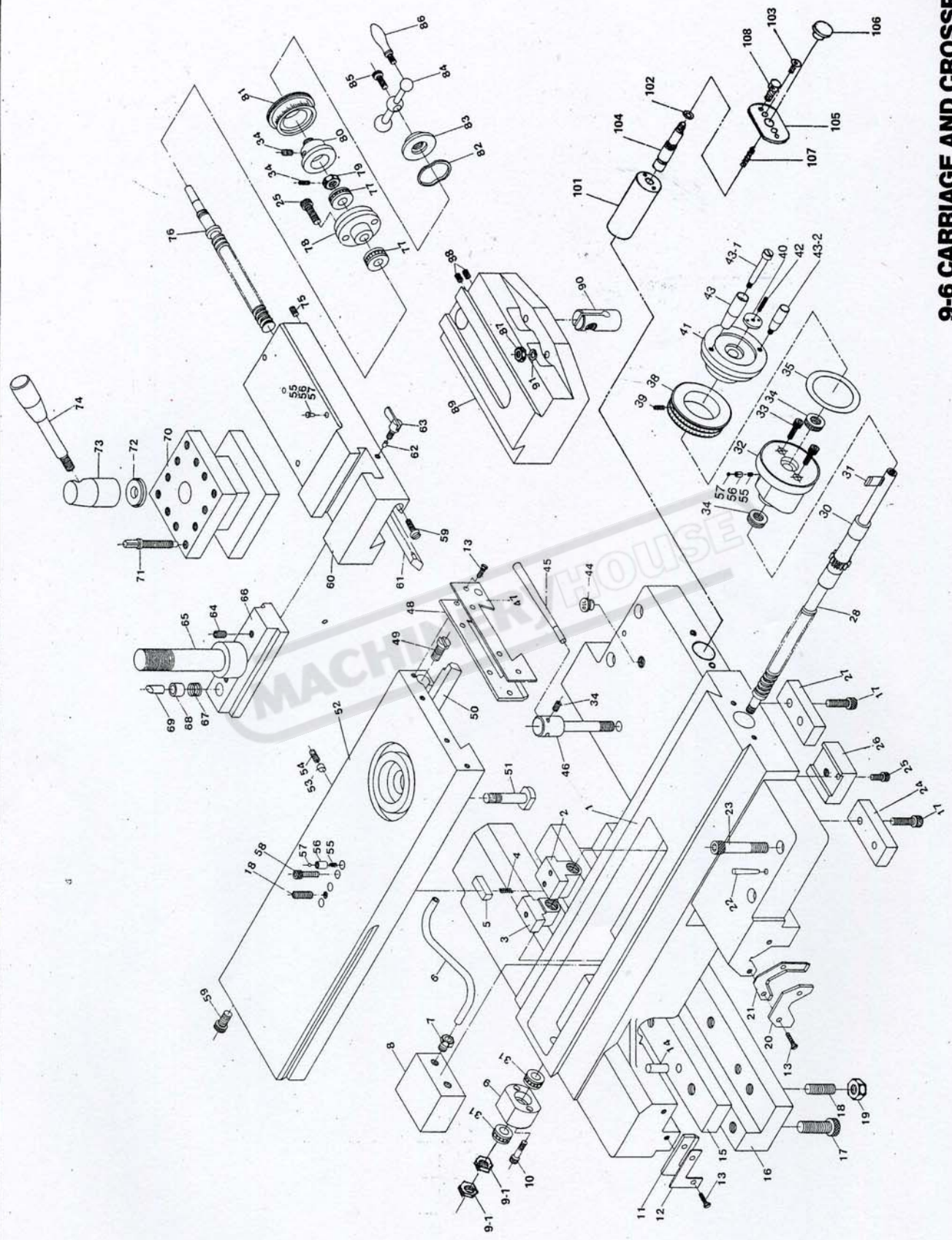


## BRAKE SYSTEM

ITEM NO.	Part Name	Amt. Used	Type: 20 GW Part No.	Type: 22 Part No.	Type: 26 Part No.	Type: 30 Part No.	名稱
1	Seat-motor	1	1420400103	1420400103	1420400103	1420400103	馬達底板
2	Shaft-motor seat	1	1420400201	1420400201	1420400201	1420400201	基座樞軸
3	Block	2	1420100500	1420100500	1420100500	1420100500	軸台
4	Set screw, M6xP1.0x12L	1					固定螺絲
5	Cam	1	1210400606	1210400607	1210400608	1210400609	凸輪
6	Spring	1	1420400309	1420400309	1420400309	1420400309	彈簧
7	Shaft-brake belt	1	1210400704	1210400704	1210400704	1210400704	煞車帶插銷
8	Arm-brake	1	1210400802	1210400802	1210400802	1210400802	制動搖臂
9	Pin-taper , 4x38L	1					推拔銷
10	Set screw, M6xP1.0x10L	1					固定螺絲
11	Hexagon socket screw, M10xP1.5x30L	3					六角承窩螺絲
12	Bracket-motor seat	1	1420100608	1420100608	1420100608	1420100608	馬達基座托架
13	Bracket-pedal	2	1210400900	1210400900	1210400900	1210400900	踏板支架
15	Pedal-brake (6 feet)	1	1220400109	1220400109	1220400109		踏板
	(8 feet)	1	1230400102	1230400102	1230400102		
	(10 feet)	1		1240400105	1240400105	1240400105	
16	Shaft-pedal bracket	1					制動踏板軸
	(6 feet)	1	1420100402	1420100402	1420100402		
	(8 feet)	1	1430100307	1430100307	1430100307		
	(10 feet)	1		1440100408	1440100408	1440100408	
17	Hexagon socket screw, M8xP1.25x25L	4					六角承窩螺絲
18	Nut , M16	6					螺帽
19	Washer , M16	4					平墊圈
20	Bolt-adjusting	1	1210401005	1210401005	1210401005	1210401005	調整螺栓固定銷
21	Washer , M12	1					平墊圈
22	Nut , M12	1					螺帽
23	Bolt-adjusting	1	1420400407	1420400407	1420400407	1420400407	調整螺栓
24	Belt-brake	1	1003519605	1003519605	1003519605	1003519605	煞車帶
25	Belt pulley	1					馬達皮帶輪
	(7.5HP/10HP/50HZ)	1	3005025-005	3005025-005	3005025-005		
	(7.5HP/10HP/60HZ)	1	3005025-004	3005025-004	3005025-004		
	(15HP/50HZ)	1		4005025-003	4005025-003	4005025-003	
	(15HP/60HZ)	1		4005025-002	4005025-002	4005025-002	
27	Key , 7x7x55L	1					雙圓平行鍵
28	Motor	1					馬達
29	Bolt-hexa. Head, M10x30L	4					六角鋼螺絲



# 9-6 CARRIAGE AND CROSSFEED



4

## CARRIAGE AND CROSSFEED ASSEMBLY

ITEM NO.	Part Name	Amt. Used	Type: 20. 22 Part No.	Type: 2280 Part No.	Type: 26 Part No.	Type:2680. 3080 Part No.	名稱
1	Carriage	1	1430800203	1430800203	153080022	154080012	滑座本體
2	Nut-crossfeed	1					螺帽
3	Nut-crossfeed	1					螺帽
4	Spring , 1x5x25L	1					彈簧
5	Shim-crossfeed nut	1	1120800901	1120800901	1120800901	1120800901	契
6	Pipe-lubrication oil	1					
7	Nut-copper	1					
8	Conveyor-oil	1	1120801006	1120801006	1120801006	1120801006	分油器
9	Cap-crossfeed screw	1	1120801104	1120801104	1120801104	1120801104	托架
9-1	Nut-hexa. head, M12xP1.25	2					六角螺帽
10	Hexagon socket screw, M6xP1.0x25L	2					六角承窩螺絲
11	Wiper-rear	1	1362100106	1362100106	1362100106	1362100106	右後防塵油封
12	Case-wiper , rear	1	1362100302	1362100302	1362100302	1362100302	後防塵油封固定片
13	Screw-cross-recessed, M4xP0.7x10L	8					十字圓頭螺絲
14	Pin	2					直銷
15	Gib	1	1430800302	1430800302	1430800302	1430800302	炭條
16	Holder-gib	1	1430800704	1430800704	1430800704	1430800704	後扁栓
17	Hexagon socket screw, M8xP1.25x25L	4					六角承窩螺絲
18	Set screw, M8xP1.25x25L	4					固定螺絲
19	Nut , M8xP1.25	4					螺帽
20	Case-wiper , front	1	1362100400	1362100400	1362100400	1362100400	前防塵油封固定片
21	Wiper-front	1	1362100106	1362100106	1362100106	1362100106	防塵油封
22	Pin-taper , 6 # 75L	2	1420700500	1420700500	1420700500	1420700500	推拔銷
23	Hexagon socket screw, M10xP1.5x70L	4					六角承窩螺絲
24	Gib-left-front	1	1120801202	1120801202	1120801202	1120801202	左前扁栓
25	Set screw, M6xP1.0x16L	3					固定螺絲
26	Clamp-carriage	1	1120801300	1120801300	1120801300	1120801300	滑座夾緊塊
27	Gib-right-front	1	1120801408	1120801408	1120801408	1120801408	右前扁栓
28	Screw-crossfeed	1					導螺桿
	(5TPI , in)	1	1000801106	1000801508	1000801106	4006028-001	
	(5M/M , mm)	1	1000800805	1000801302	1000800805	1000801302	
30	Pinion-crossfeed (export)	1	1430801103	1540800601	1430801103	1540800601	齒輪軸
	(local)	1	1430801005	1540800503	1430801005	1540800503	
31	Bearing thrust, 51101	2	91303001	91303001	91303001	91303001	止推軸承
32	Bracket (export)	1	1430800106	1430800106	1430800106	1430800106	托架
	(local)	1	1430801603	1430801603	1430801603	1430801603	
33	Bolt-hexa. Socket , M8xP1.25x40L	2					六角承窩螺絲
34	Bearing thrust, 51104	2	91303003	91303003	91303003	91303003	固定螺絲
35	Washer-wave type , 6210	1					浪型墊圈

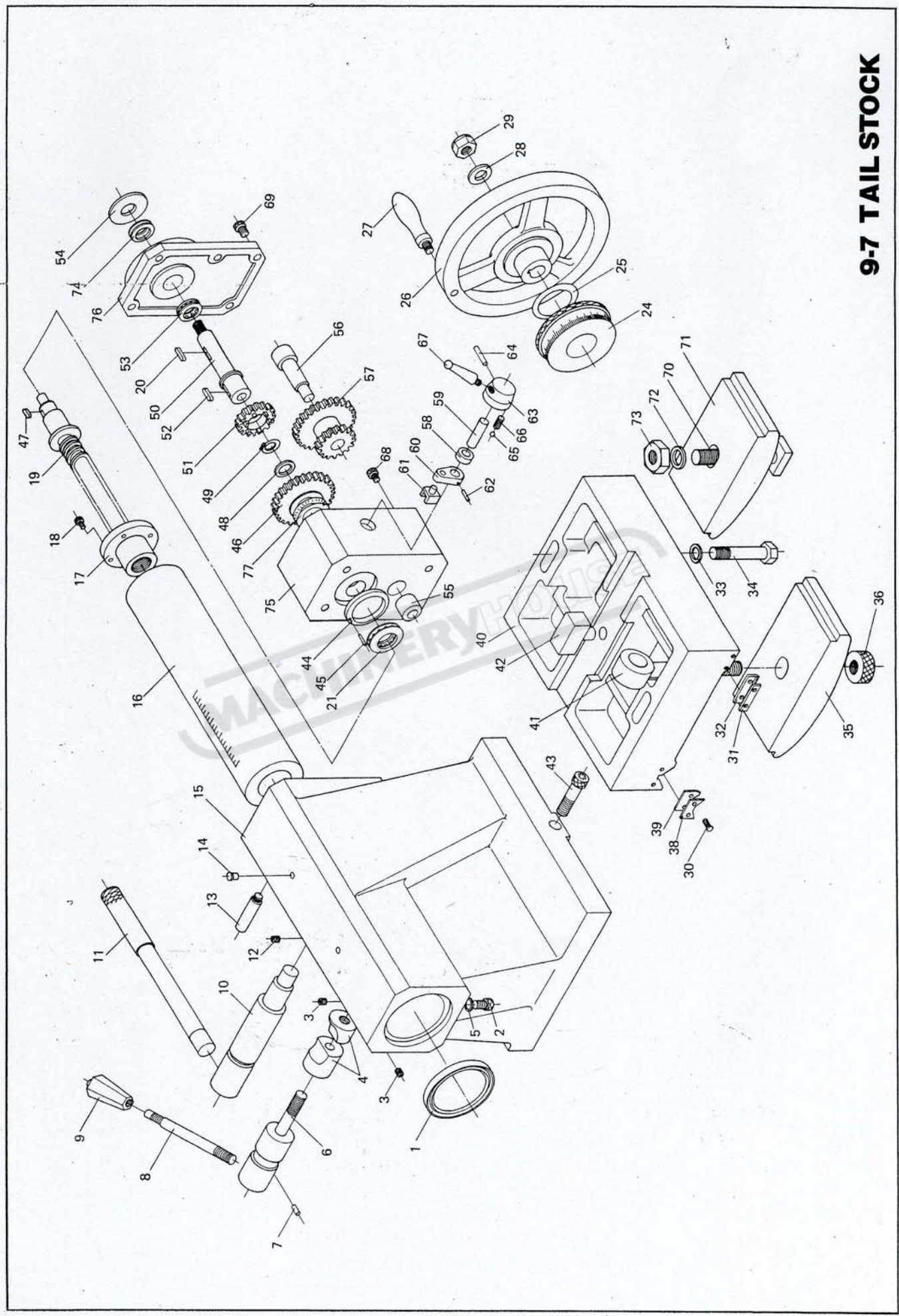


## CARRIAGE AND CROSSFEED ASSEMBLY

ITEM NO.	Part Name	Amt. Used	Type: 20. 22 Part No.	Type: 2280 Part No.	Type: 26 Part No.	Type:2680. 3080 Part No.	名稱
36	Set screw, M6xP1.0x10L	1					固定螺絲
37	Clutch-dial	1	1120802807	1120802807	1120802807	1120802807	測微規基座
38	Dial-crossfeed	1					刻度環
	(5TPI, in, export)	1	1000803806	1000803806	1000803806	1000803806	
	(5M/M , mm, export)	1	1000802701	1000802701	1000802701	1000802701	
39	Hexagon socket screw , M6xP1.0x15L	2					六角承窩螺絲
40	Nut-lock clutch	1	1120803108	1120803108	1120803108	1120803108	測微規基座
41	Handle (local)	1	1430801201	1430801201	1430801201	1430801201	手柄
	(export)	1	1430801309	1430801309	1430801309	1430801309	
42	Screw-adjusting , M6xP1.0x30L	1					止付螺絲
43	Knob-handle (local)	1	1430801201	1430801201	1430801201	1430801201	握把
	(export)	1	1430801505	1430801505	1430801505	1430801505	
43-1	Screw-handle (export)	1					
43-2	Knob-handle (export)	1	1120803402	1120803402	1120803402	1120803402	握把
44	Plug-oil inlet	1	1122103405	1122103405	1122103405	1122103405	油塞
45	Lever	1	1120801506	1120801506	1120801506	1120801506	固定把手
46	Screw-carriage clamp	1	1120800607	1430800606	1430800606	1430800606	固定螺栓
47	Case-wiper	1					
48	Wiper	1	1362101005	1362101005	1362101005	1362101005	橫滑座防塵油封
49	Screw-adjusting	1					調整螺栓
50	Gib	1	1540800307	1540800307	1540800307	1540800307	嵌條
51	Bolt	4	1430800508	1430800508	1430800508	1430800508	特殊螺帽
52	Cover-cross sliding	1	143080091	143080091	143080091	143080091	橫滑座
53	Shoe-clamp	1	1220800707	1220800707	1220800707	1220800707	鎖緊銷
54	Set screw, M6xP1.0x20L	1					固定螺絲
55	Spring	5					彈簧
56	Sleeve	5					
57	Ball-steel , 1/4"	5					銅入珠
58	Hexagon socket screw, M6xP1.0x20L	3					六角承窩螺絲
59	Screw-gib	2	1120801702	1120801702	1120801702	1120801702	調整螺栓
60	Compound rest	1					刀具滑座
61	Gib-compound rest	1	1000804607	1000804607	1000804607	1000804607	船座嵌條
62	Shoe-clamp	1	1220800709	1220800709	1220800709	1220800709	鎖緊銷
63	Screw-clamp	1					鎖緊螺絲
64	Hexagon socket screw, M8xP1.25x10L	4					
65	Shaft-tool post	1					刀架心軸
65-1	Shaft-tool post	1					刀架心軸
66	Block-tee	1					T型塊
67	Spring , 1x8x20L	1					彈簧
68	Sleeve	1					
69	Button	1					固定銷

## CARRIAGE AND CROSSFEED ASSEMBLY

ITEM NO.	Part Name	Amt. Used	Type: 20. 22 Part No.	Type: 2280 Part No.	Type: 26 Part No.	Type:2680. 3080 Part No.	名稱
70	Tool post-square (export)	1	1003518804	1003518804	1003518804	1003518804	四方刀架
	(local)	1	1003512900	1003512900	1003512900	1003512900	
71	Screw-square head	1	1000804205	1000804205	1000804205	1000804205	刀架螺絲
72	Bearing-thrust	1					止推軸承
73	Knob-lever	1					鎖緊輪
74	Lever	1					煙斗
75	Screw-gib, M8xP1.25x30L	1					
76	Screw compound rest	1					船座導螺桿
77	Bearing thrust, 51102	2					止推軸承
78	Seat-compound rest screw	1					
79	Nut	1					螺帽
80	Collar	1					
81	Dial-compound rest	1					船座刻度環
82	Washer-wave type	1					浪型墊圈
83	Nut	1					
84	Handle	1					手柄
85	Hexagon socket screw, M6xP1.0x16L	1					六角承窩螺絲
86	Knob-handle	1					手柄
87	Nut , M10xP1.5	4					螺帽
88	Set screw, M8xP1.25x8L	2					固定螺絲
89	Swivel	1					
90	Nut-compound rest screw	1					船座導螺桿螺帽
91	Spring washer , M10	4					彈簧墊圈
101	Body-pump	1	1120801800	1120801800	1120801800	1120801800	泵浦本體
102	Ring-O , PA10	1					O型環
103	Screw , M5xP0.8x12L	2					
104	Rod-pump	1	1120801908	1120801908	1120801908	1120801908	活塞桿
105	Stopper	1	1120802003	1120802003	1120802003	1120802003	固定板
106	Plug	1	1120802101	1120802101	1120802101	1120802101	把手
107	Spring-compressing, φ1.2x10x63L	1					彈簧
108	Screw hexa. Socket head cap, M6x10L	2	1120802209	1120802209	1120802209	1120802209	十字圓頭螺絲



# 9-7 TAIL STOCK

## TAILSTOCK ASSEMBLY

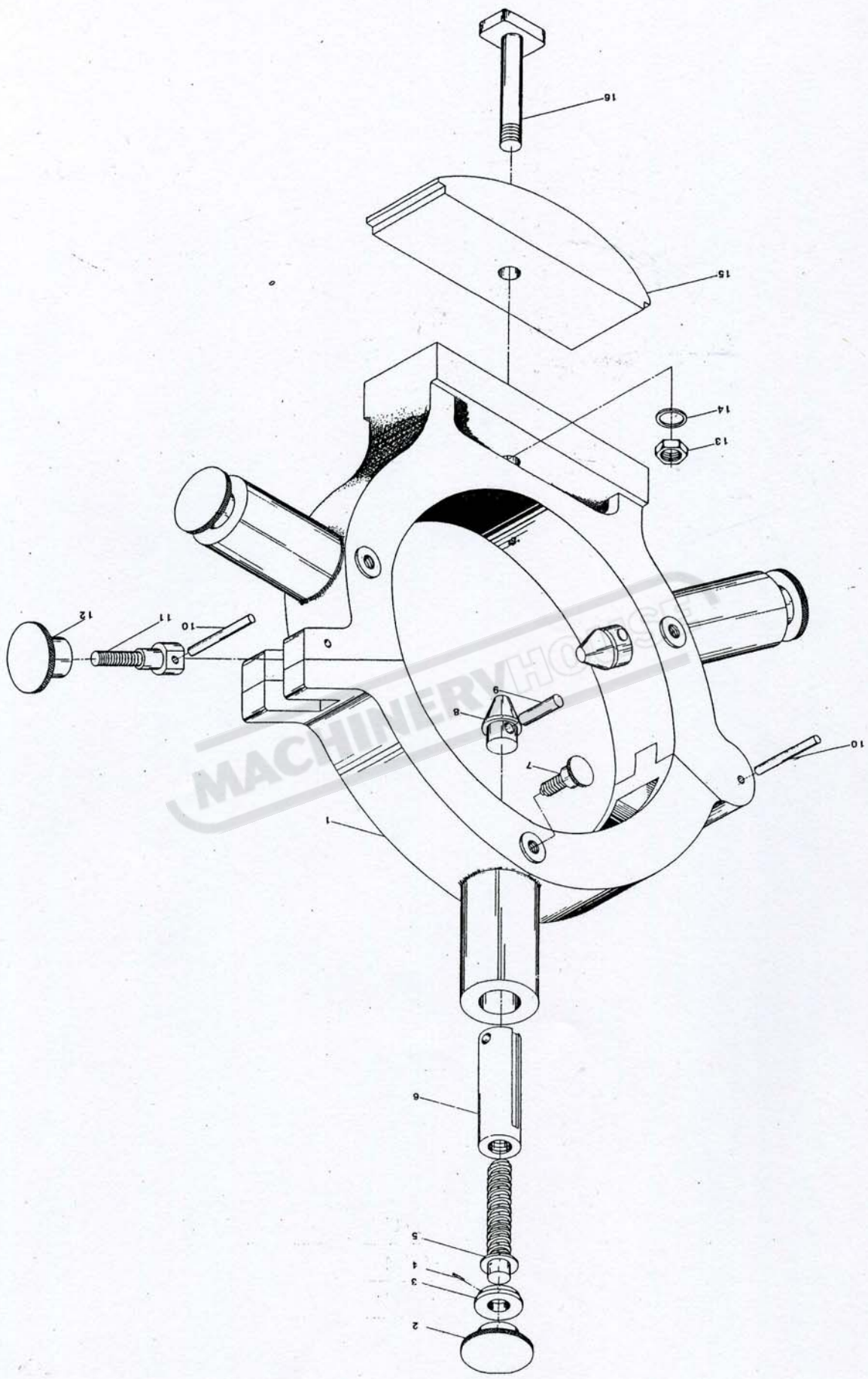
ITEM NO.	Part Name	Amt. Used	Type: 20GW Part No.	Type: 22 Part No.	Type: 26 Part No.	Type: 3080 Part No.	名稱
1	Seal-oil , TC75x90x8	1					油封
2	Hexagon socket screw, M8xP1.25x10L	1					六角承窩螺絲
3	Set screw, M6xP1.0x12L	1					固定螺絲
4	Block-clamp	1	1361101001	1361101001	1361101001	1441100500	鎖緊軸套
5	Spring washer , M12	1					彈簧墊圈
6	Shaft-clamp spindle	1	136110111	136110111	136110111	1441100608	鎖緊螺栓
7	Pin , 5x12	2					彈簧銷
8	Lever	1	1121102100	1121102100	1121102100	1121102100	手柄
9	Sleeve-lever	1	1120207400	1120207400	1120207400	1120207400	電木把手
10	Shaft-clamp botton	1	1361101207	1361101207	1361101207	1441100706	偏心軸柄
11	Lever	1	1361101207	1361101207	1361101207	1441100706	偏心軸柄
12	Set screw , M6xP1.0x20L	1					固定螺絲
13	Screw-brake	1	1121102306	1121102306	1121102306	1121102306	制動銷
14	Plug-oil , 1/4"	3					銅入珠
15	Body-tailstock	1					尾座本體
16	Spindle-tang slot	1	1361101305	1361101305	1361101305	144110081	套筒
17	Cap-spindle	1					銅螺帽
18	Hexagon socket screw, M6xP1.0x16L	4					六角承窩螺絲
19	Screw-spindle feed (in)	1	136110031	136110031	136110031	144110031	螺旋軸
	(mm)	1	136110041	136110041	136110041	144110041	
20	Key-square , 6x6x25	1					雙圓平行鍵
21	Bearing-thrust, 51205	1	91303006	91303006	91303006	91303006	止推軸承
24	Dial-feed (in)	1	1361100504	1361100504	1361100504	1361100504	刻度環
	(mm)	1	1361100602	1361100602	1361100602	1361100602	
25	Washer-wave type, WW-46	2					浪型墊圈
26	Handwheel	1	1361100906	1361100906	1361100906	1361100906	手輪
27	Knob	1	1121102002	1121102002	1121102002	1121102002	握把
28	Washer , W1/2"	1					平墊圈
29	Nut , 1/2"-20UNF	1					特殊螺帽
30	Screw-cross-recessed, M4xP0.7x10L	8					十字圓頭螺絲
31	Case-wiper	2	1362100508	1362100508	1362100508	1362101603	前防塵油封固定片
32	Wiper	2	1362100106	1362100106	1362100106	1432100305	防塵油封
33	Washer-flat , M12	2					平墊圈
34	Bolt-clamp, M12xP1.75.75L	2					六角頭螺絲
35	Clamp	1	1362100802	1362100802	1362100802	1442100102	制動塊
36	Nut	1	1362101505	1362101505	1362101505	1362101505	螺帽
38	Case	2	1362100302	1362100302	1362100302	1362100302	後防塵油封固定片
39	Wiper	2	1362100106	1362100106	1362100106	1432100305	防塵油封
40	Bottom-tailstock	1					尾座底板
41	Bolt-clamp	1	1361100700	1431100203	1541100306	9307041-4	環首螺栓
42	Blcok-adjusting	1	1221101301	1221101301	1221101301	1221101301	左右調整塊
43	Hexagon socket screw,	2					六角承窩螺絲

## TAILSTOCK ASSEMBLY

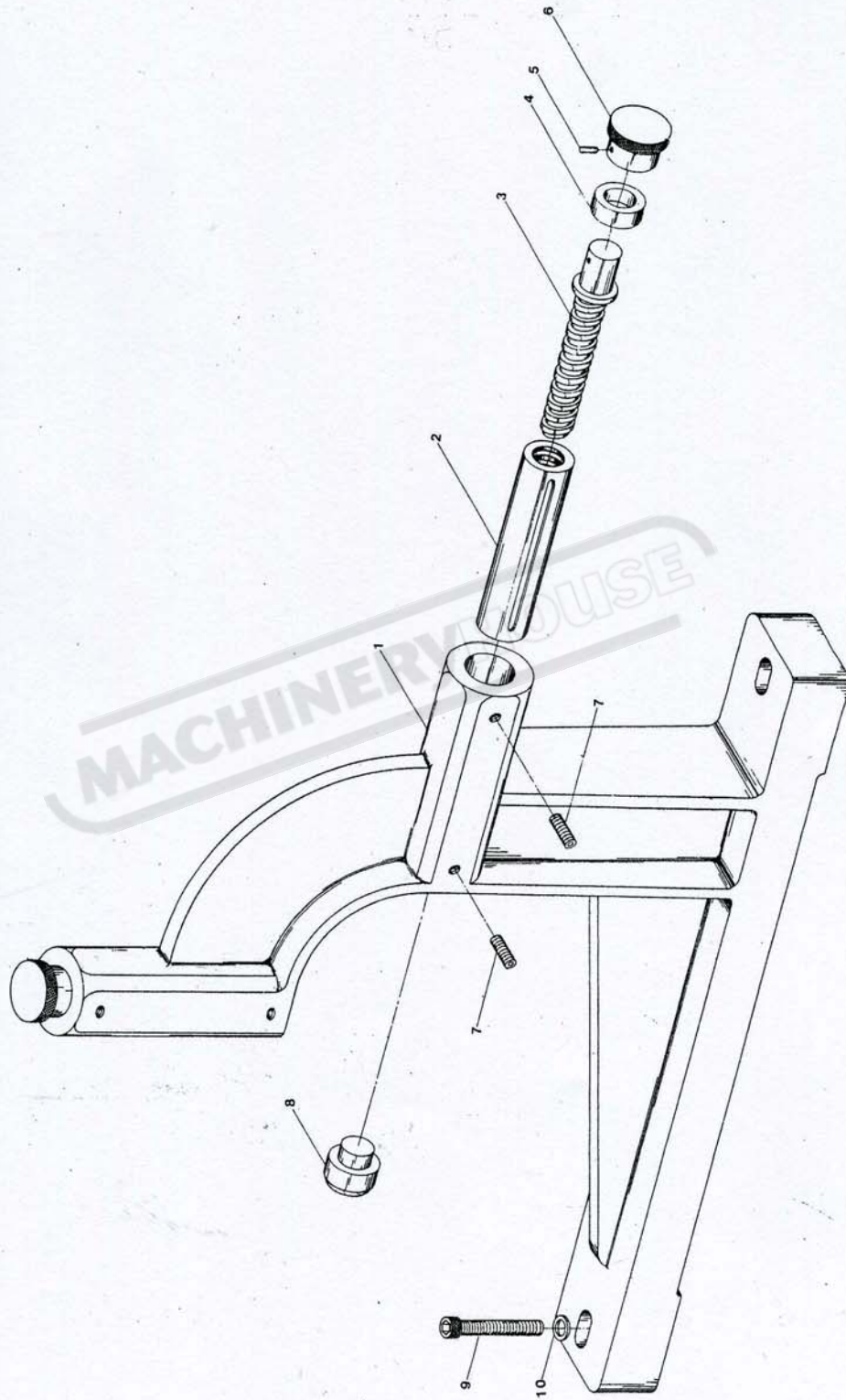
ITEM NO.	Part Name	Amt. Used	Type: 20GW Part No.	Type: 22 Part No.	Type: 26 Part No.	Type: 3080 Part No.	名稱
43	M10xP1.5x80L	2					六角承窩螺絲
44	Socket washer	1	1361101805	1361101805	1361101805	1541100904	定位墊圈
45	Pin , φ4x22.5L	1					
46	Clutch shaft	1	1361101903	1361101903	1361101903	1361101903	離合齒輪
47	Square key , 5x5x10L	1					雙圓平行鍵
48	Washer	1	1361102008	1361102008	1361102008	1361102008	墊圈
49	Snap ring , S18	1					
50	Clutch shaft	1	1361102106	1361102106	1361102106	1361102106	離合軸
51	Gear	1	1361102204	1361102204	1361102204	1361102204	齒輪
52	Square key , 5x5x25	1					雙圓平行鍵
53	Thrust bearing, 51104	1	91303003	91303003	91303003	91303003	止推軸承
54	Washer	1	1361102302	1361102302	1361102302	1361102302	墊圈
55	Spacer	1	1361102400	1361102400	1361102400	1361102400	套筒
56	Idle shaft	1	1361102508	1361102508	1361102508	1361102508	惰輪軸
57	Gear	1	1361102606	1361102606	1361102606	1361102606	中間齒輪
58	Spacer	1	1361102704	1361102704	1361102704	1361102704	套筒
59	Shaft	1	1361102802	1361102802	1361102802	1361102802	變速心軸
60	Shifting lever	1	1361102900	1361102900	1361102900	1361102900	搖臂
61	Shifting fork	1	1361103005	1361103005	1361103005	1361103005	撥爪
62	Spring pin , φ4x25L	1					
63	Knob	1	1361103103	1361103103	1361103103	1361103103	變速把手
64	Spring pin , φ5x38L	1					
65	Ball steel , φ1/4"	1					
66	Spring , D6xd1x20L	1					
67	Lever	1	1120207204	1120207204	1120207204	1120207204	把手
68	Hexagon socket screw, M8xP1.25x25L	4					六角承窩螺絲
69	Hexagon socket screw, M6xP1.0x16L	6					六角承窩螺絲
70	Bolt clamp	1	1432100207	1432100207	1432100207	1432100207	螺栓
71	Clamp	1	1362100802	1362100802	1362100802	1442100102	固定架制動塊
72	Washer , W3/4	1					
73	Nut , W3/4-10NC	1					
74	Ball bearing , 6004	1	91301006	91301006	91301006	91301006	滾珠軸承
75	Shifting box	1	1361101403	1361101403	1361101403	1441100902	變速箱
76	Shifting cover	1	1361103201	1361103201	1361103201	1441101007	變速箱蓋
77	Bearing thrust	1					



# 9-8 STEADY REST







**9-9 FOLLOW REST**

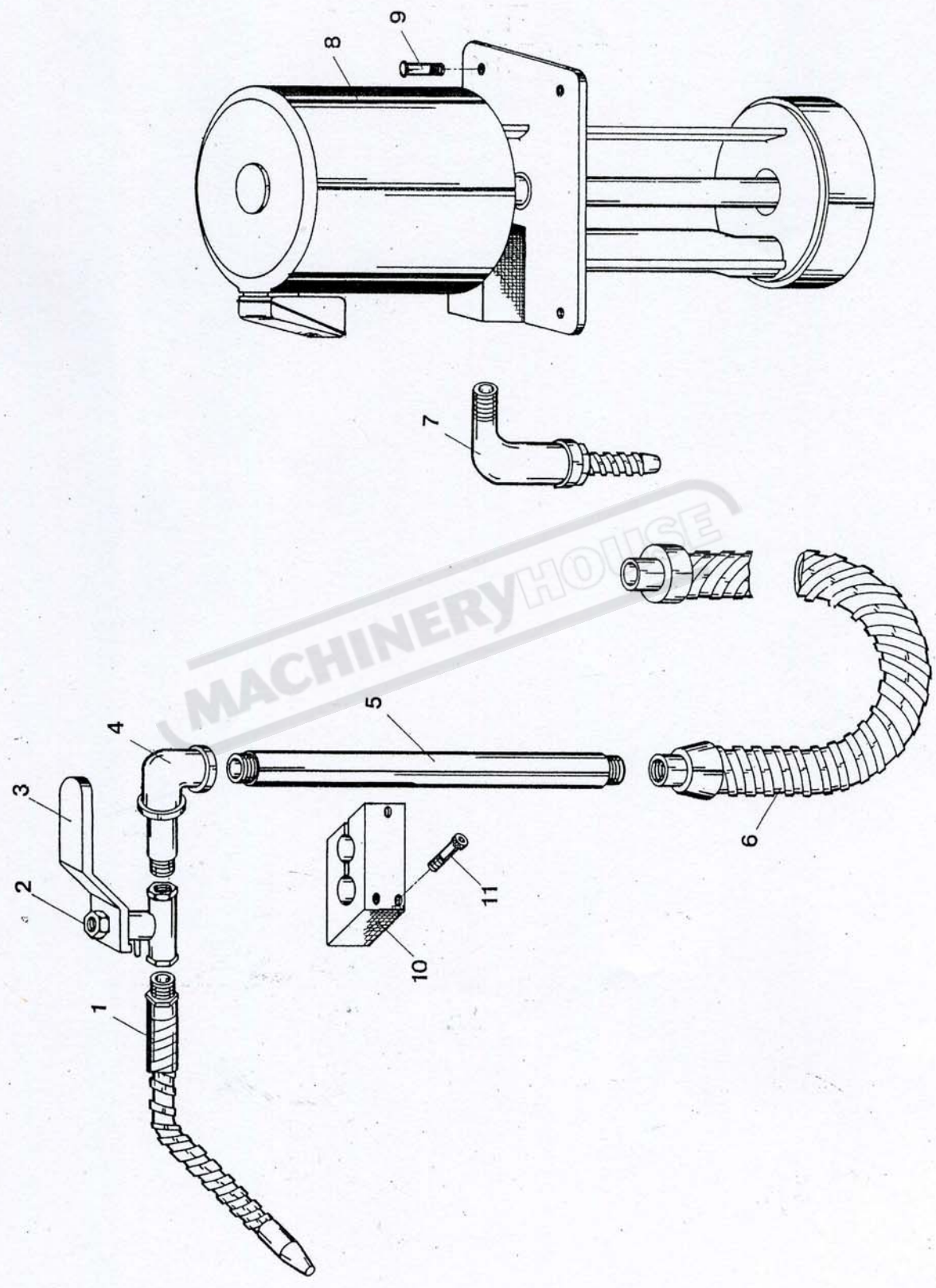
## FOLLOW REST ASSEMBLY

ITEM NO.	Part Name	Amt. Used	Type: 20 GW Part No.	Type: 22 Part No.	Type: 26 Part No.	Type: 3080 Part No.	名稱
1	Body-follow rest	1					跟刀架
2	Nut-lead screw	2					
3	Lead-screw	2					
4	Collar	2					
5	Pin , 4x25L	2					
6	Plug-lead screw	2					
7	Screw-hexa. Socket headless cap, M8xP1.25x10L	4					
8	Shoe	2					
9	Hexagon socket screw, M10xP1.5x30L	2					
10	Washer	2					
	(bronze type)		1003510004	1003509707	1003509805	4008021-003	跟刀架
	(roller type)		100352730	100352740	100352760		
	(bronze type for 2280)		1003509609				
	(roller type for 2280)		100352750				
	(bronze type for 2680)		1003509903				
	(roller type for 2680)		100352770				

MACHINERY



# 9-10 COOLANT SYSTEM





## COOLANT SYSTEM ASSEMBLY

ITEM NO.	Part Name	Amt. Used	Type: 20 GW Part No.	Type: 22 Part No.	Type: 26 Part No.	Type: 2680 Part No.	名稱
1	Nozzle	1					噴嘴
2	Nut-lock	1					
3	Cock-lever	1					凡而
4	Elbow	1					彎管
5	Rod-support	1					支撐桿
6	Pipe	1					噴水軟管
7	Elbow	1					冷卻泵浦
8	Pump body	1					
9	Bolt-hex. Head, M6xP1.0x12L	2					
10	Supporter-lock pipe	1					
11	Screw-hexa. socket head cap, M6xP1.10x20L	3					六角承窩螺絲

MACHINERYHOUSE